

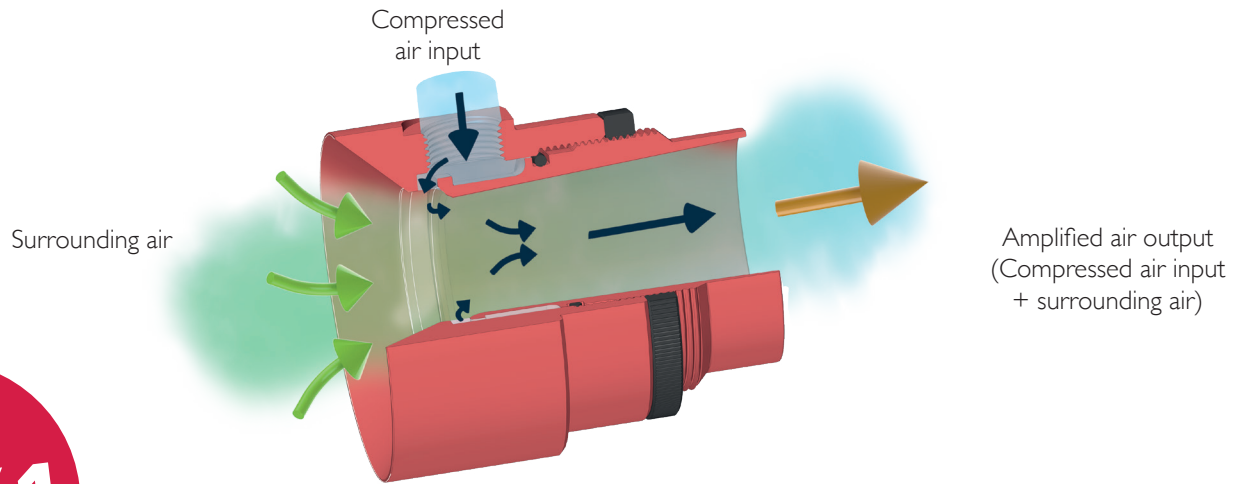
AA 015

TECHNICAL SHEET

AIR AMPLIFIERS



OPERATING PRINCIPAL



RATIO
UP TO
15/1

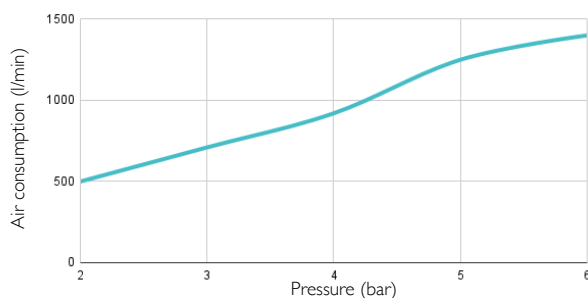
TECHNICAL INFORMATION*

BENEFITS OF USING AA 015 AIR AMPLIFIER*	Pressure (bar)	Air consumption (l/min)	Noise level (dB)	Aspirated surrounding air (l/min)	Amplified blowing (l/min)
		6	1400	87	3300

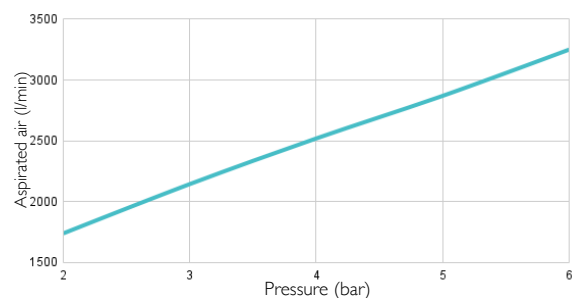
AA 015 AIR AMPLIFIERS FEATURES*

- **Connection** : Female G3/8" • **Inside Ø** : 41mm • **Weight** : Aluminium : 380g / Stainless steel 316 L : 1115g
- **Max. operating temperature** : Aluminium : 150°C / Stainless steel 316 L : 450°C • **Max pressure** : 10 bars

AIR CONSUMPTION DEPENDING ON PRESSURE*



ASPIRATED AIR DEPENDING ON PRESSURE*



* **NOTE:** The measurements in this data sheet have been obtained in a laboratory under strict control. The varying conditions of a real industrial environment and the instability of pressure from an industrial compressor can create different values than the ones obtained in a laboratory. Those data are provided for information purposes only.

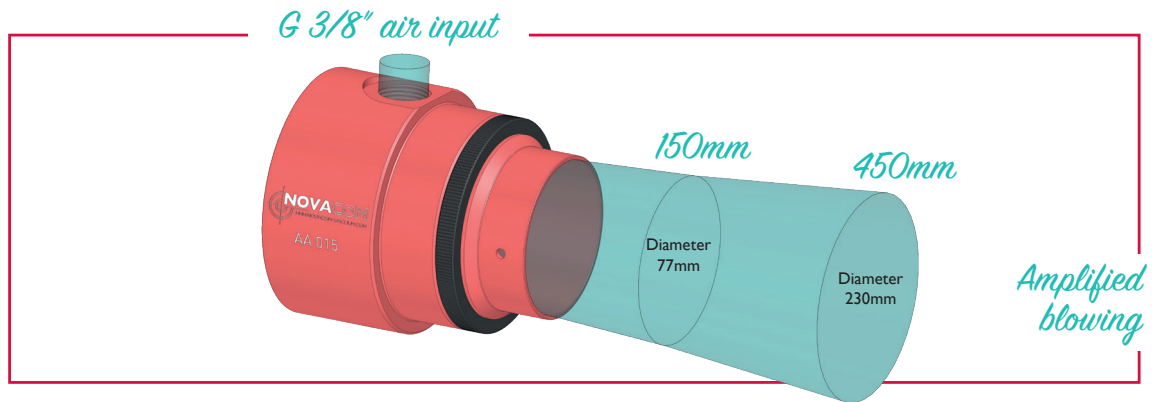
To achieve the best performance from the air amplifiers, we recommend using a compressed air supply tube with a minimum 8 mm inside diameter.

The amplified air value uses the Boyle-Mariotte law. The pressurized air has a less important volume than the expanded air and is translated by the formula: $P_1 \times V_1 = P_2 \times V_2$

In our case $V_1 =$ consumed air + aspirated air

EXAMPLES OF DIFFERENT APPLICATIONS OF THE AIR AMPLIFIER

BLOWING



AIR EXTRACTION



TRANSPORTATION SUCTION



SETTINGS OF AIR AMPLIFIER

STEPS: for a factory setting

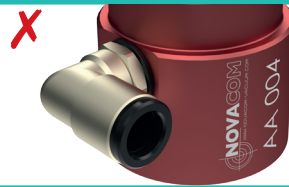
- A Unscrew the locknut 1
- B Screw the counter-nozzle 2 inside the air amplifier's body 3 then unscrew the counter-nozzle 2 of approximately an eighth of a turn. Once the required setting is obtained, screw back the locknut 1



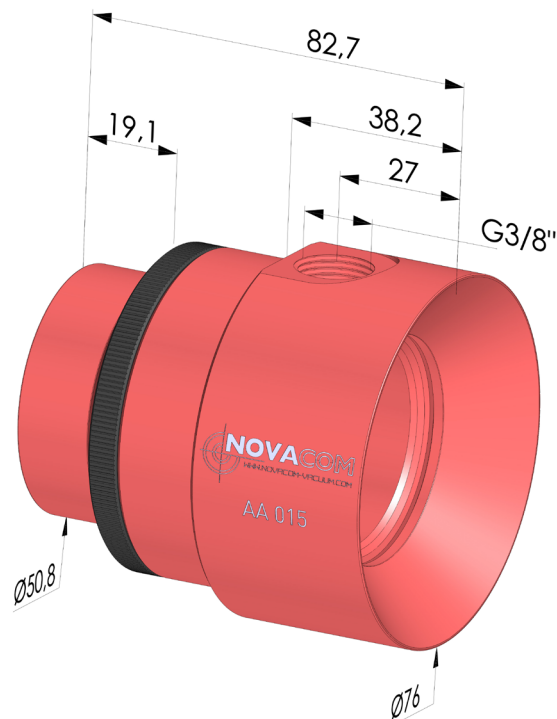
- 1 Locknut AA 015 CONTRE ECROU
- 2 Counter-nozzle AA 015 CON/BUSE
- 3 Body AA 015 CORPS

RECOMMENDATIONS

It is best not to use elbow fittings for the supply of compressed air on this product, as you may encounter power losses.



DIMENSIONS



AA 015 ■ Anodized aluminium
AA 015 ACI ■ 316L Stainless steel

The values are given in millimeters