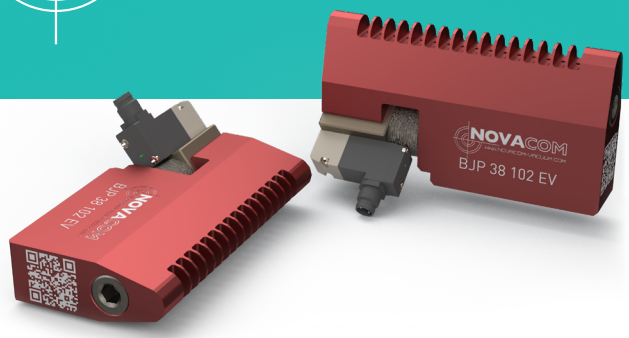


# BJP 38 102 EV

## TECHNICAL SHEET

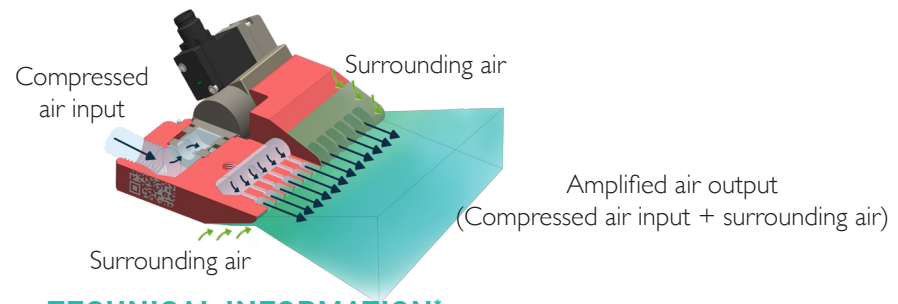
### AIR NOZZLES

#### FLAT AIRSTREAM



### OPERATING PRINCIPAL

**Booster**  
**RATIO UP TO 25/1**

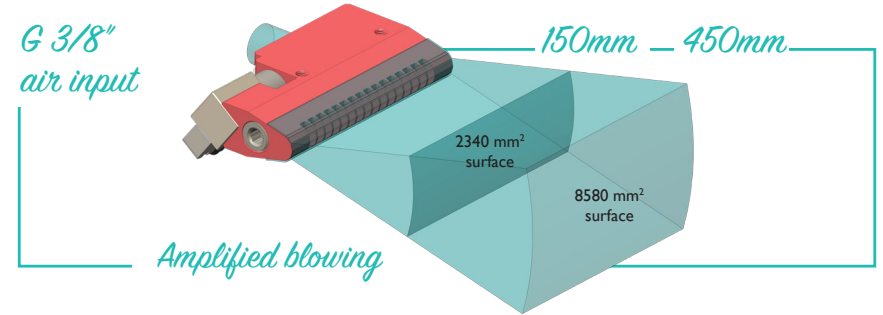
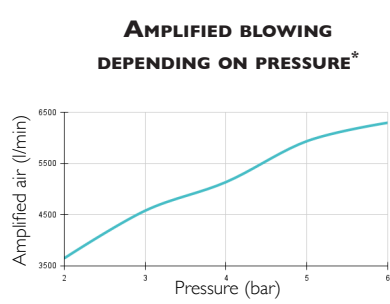
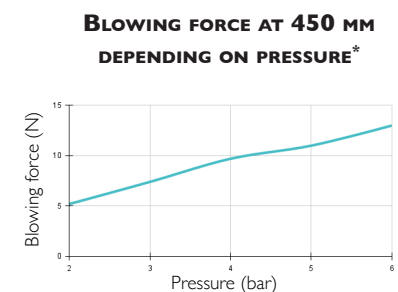
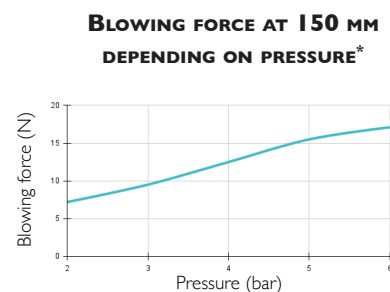
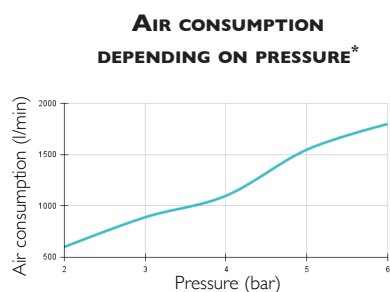


### TECHNICAL INFORMATION\*

BENEFITS OF USING A BJP 38 102 AIR NOZZLE* (Compared to an open pipe)		Increase of blowing force (%)		Noise reduction (%)		
		Up to <b>64%</b>		Up to <b>33%</b>		
BLOWING PERFORMANCE BJP 38 102 EV NOZZLE*	Pressure (bar)	Air consumption (l/min)	Blowing force (N)		Noise level (dB)	Amplified blowing (l/min)
	6	1130	at 150mm 17,1	at 450mm 13	74	6250
VS OPEN PIPE Ø12*		Pressure (bar)	Air consumption (l/min)		Noise level (dB)	Amplified blowing (l/min)
		6	4450		110	4450

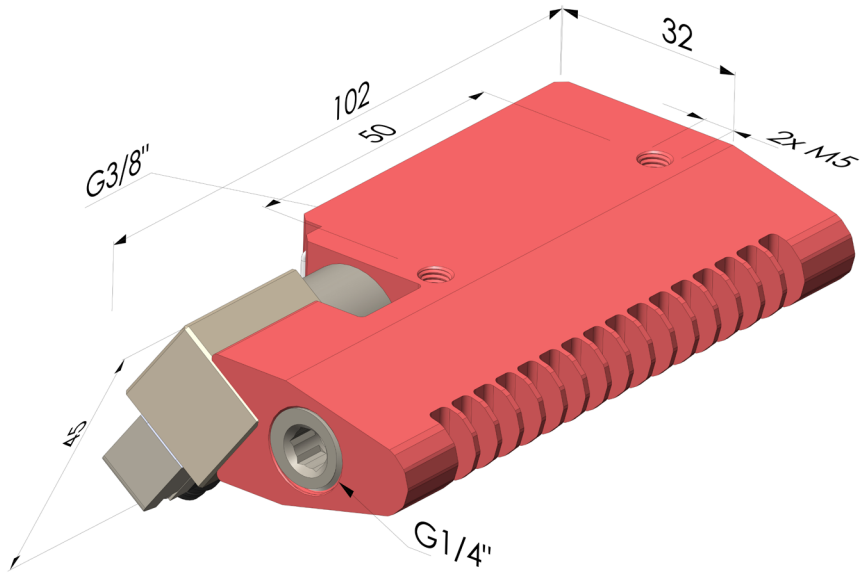
### BJP 38 102 NOZZLE FEATURES

- **Connection** : Female G3/8" • **Weight** : Aluminium : 185g • **Max. operating temperature** : Aluminium : 60°C • **Max pressure** : 7 bars



\* **NOTE:** The measurements in this data sheet have been obtained in a laboratory under strict control. The varying conditions of a real industrial environment and the instability of pressure from an industrial compressor can create different values than the ones obtained in a laboratory. Those data are provided for information purposes only.  
 To achieve the best performance from the air nozzle, we recommend using a compressed air supply tube with a minimum 12 mm inside diameter.

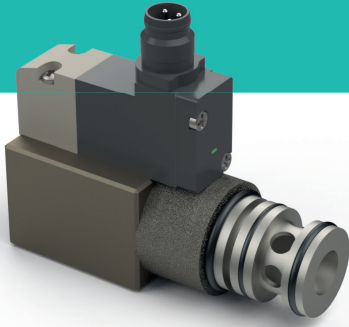
## DIMENSIONS



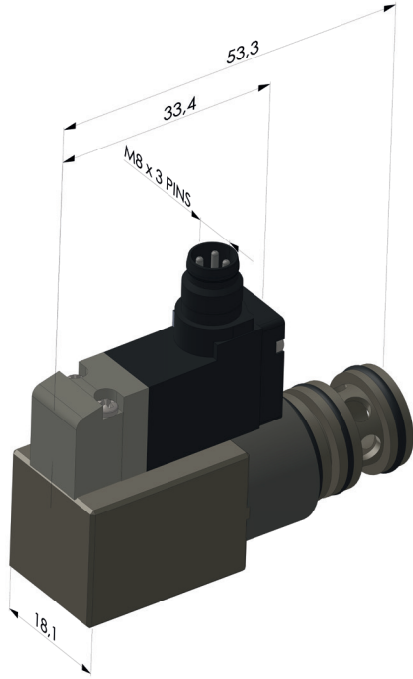
**BJP 38 102 EV** ■ Anodized aluminium

The values are given in millimeters

# TECHNICAL SHEET SOLENOID VALVE

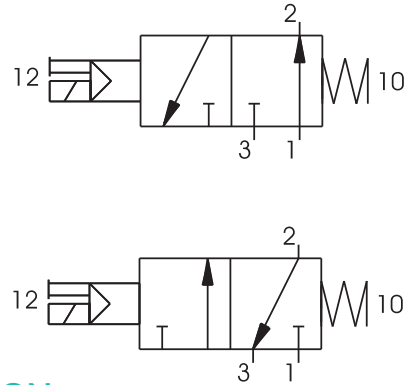


## DIMENSIONS



- Body:** brass
- Operator:** technopolymer
- Spools:** aluminium
- Seals:** nitrile
- Pistons:** aluminium
- Springs:** spring steel

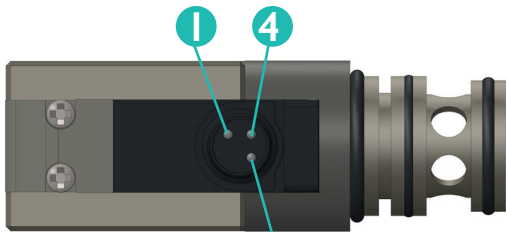
## WIRING DIAGRAM



## TECHNICAL INFORMATION

ITEM NUMBER	FLUID	MAX. OPERATING PRESSURE (BAR)	OPERATING TEMPERATURE (°C)	FLOW AT 6 BAR WITH $\Delta P = 1$ (NL / MIN)	WEIGHT (G)	AVAILABLE VOLTAGE	ELECTRICITY CONSUMPTION	CONNECTION TYPE	CYCLE COUNT	RESPONSE TIME	
										TURNING ON	TURNING OFF
<b>EV 24 VDC 1,2W</b>	Filtered and lubricated air	7	-10 to +60 °C	700	18	24VDC	1,2w	PLUG IN M8 3 PIN - IP65 - Threaded fitting	50 000 000	12 ms	35 ms

## ASSEMBLING



- 1 Not used
- 3 0V (Polarity reversal)
- 4 +24V



- Brown 1 Not used
- Blue 3 0V
- Black 4 +24V