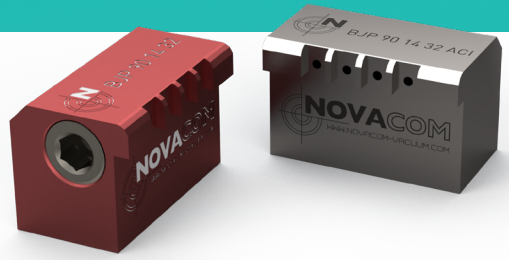


BJP 90 14 32

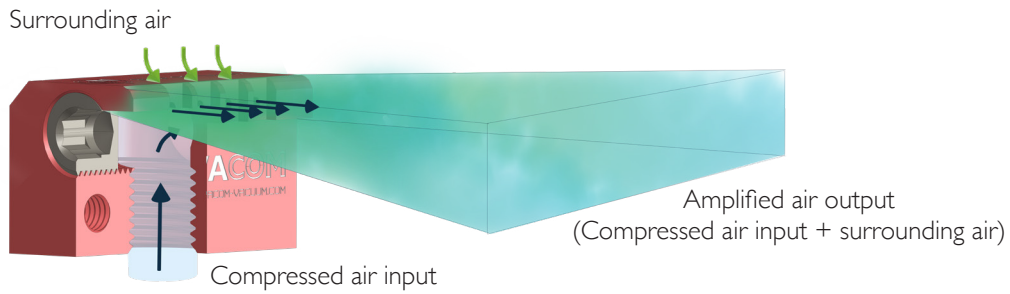
TECHNICAL SHEET

AIR NOZZLES

FLAT AIRSTREAM



OPERATING PRINCIPAL



Booster

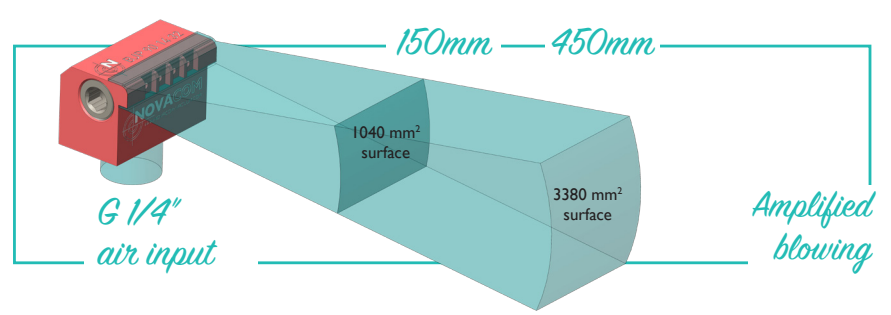
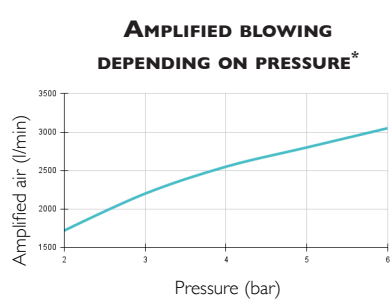
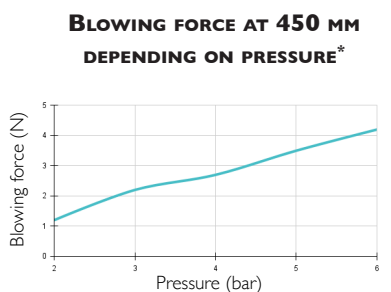
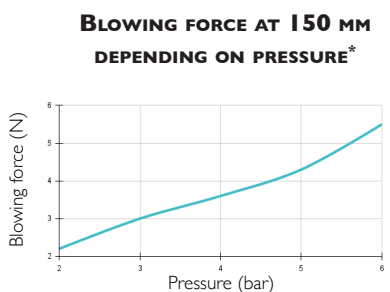
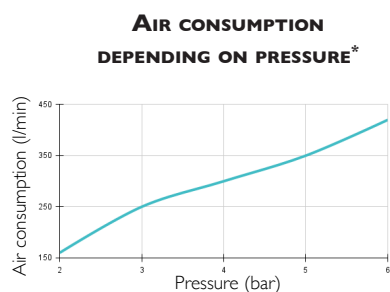
RATIO UP TO 25/1

TECHNICAL INFORMATION*

BENEFITS OF USING A BJP 90 14 32 AIR NOZZLE* (Compared to an open pipe)		Increase of blowing force (%)		Noise reduction (%)			
		Up to 59%		Up to 35%			
BLOWING PERFORMANCE BJP 90 14 32 NOZZLE*	Pressure (bar)	Air consumption (l/min)	Blowing force (N)		Noise level (dB)	Amplified blowing (l/min)	
	6	420	at 150mm	at 450mm			
			5,5	4,2	70	3050	
VS		OPEN PIPE Ø8*					
	Pressure (bar)	Air consumption (l/min)		Noise level (dB)		Amplified blowing (l/min)	
	6	2550		108		2550	

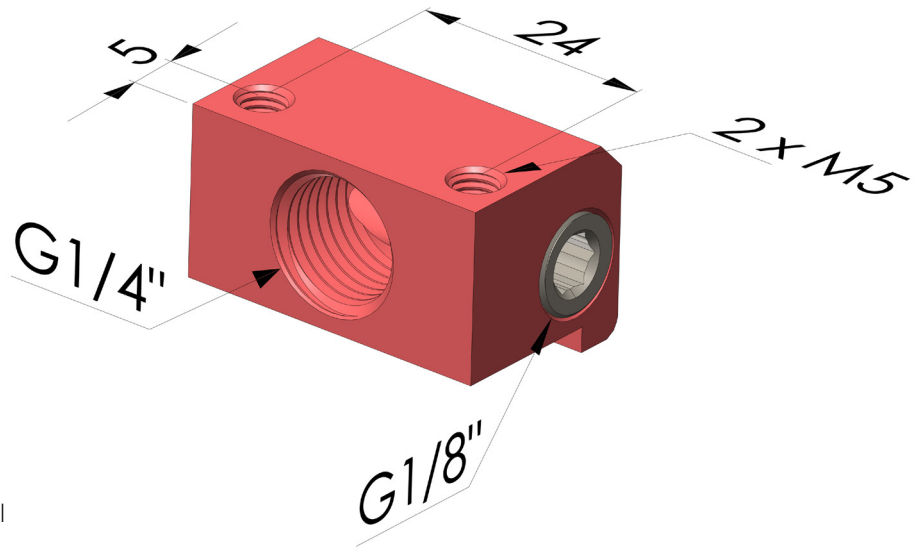
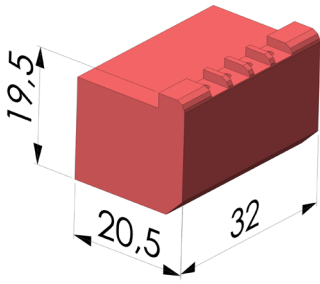
BJP 90 14 32 NOZZLE FEATURE

- **Connection** : Female G1/4" • **Weight** : Aluminium : 23g / Stainless steel 316 L : 62,5g
- **Max. operating temperature** : Aluminium : 150°C / Stainless steel 316 L : 450°C • **Max pressure** : 10 bars



* **NOTE:** The measurements in this data sheet have been obtained in a laboratory under strict control. The varying conditions of a real industrial environment and the instability of pressure from an industrial compressor can create different values than the ones obtained in a laboratory. Those data are provided for information purposes only. To achieve the best performance from the air nozzle, we recommend using a compressed air supply tube with a minimum 8 mm inside diameter.

DIMENSIONS



BJP 90 14 32 ■ Anodized aluminium
BJP 90 14 32 ACI ■ 316L Stainless steel

The values are given in millimeters