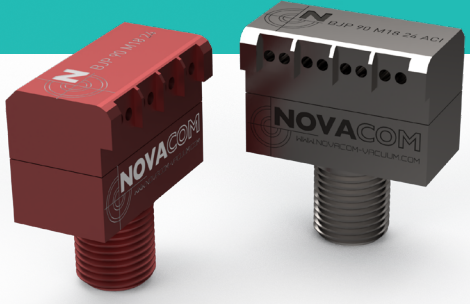
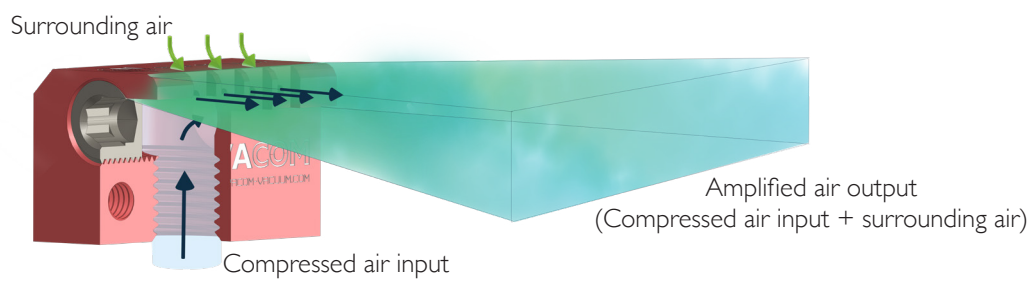


BJP 90 M18 24 TECHNICAL SHEET AIR NOZZLES FLAT AIRSTREAM



OPERATING PRINCIPAL

Booster
RATIO
UP TO
25/1

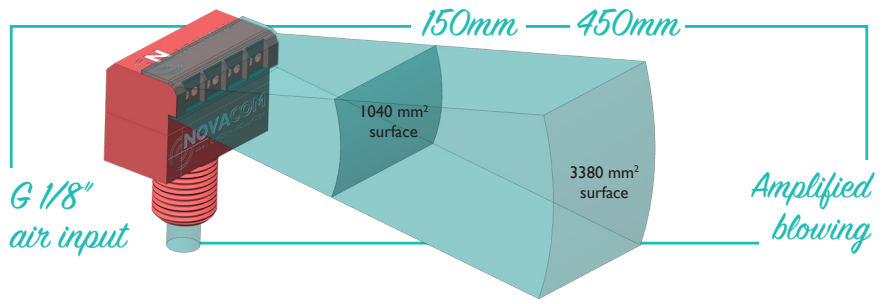
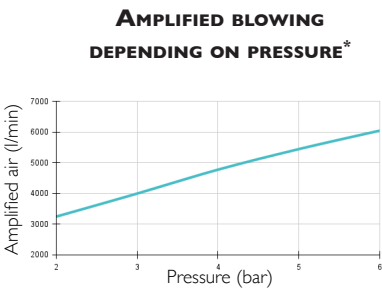
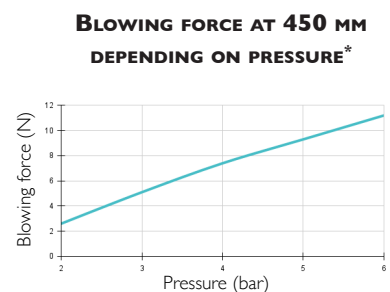
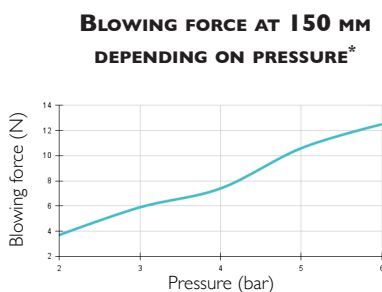
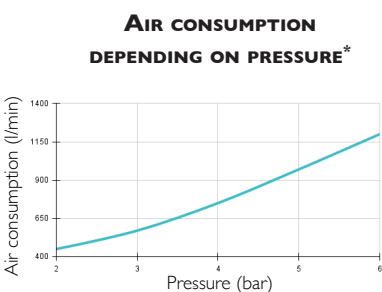


TECHNICAL INFORMATION*

BENEFITS OF USING A BJP 90 M18 24 AIR NOZZLE* (Compared to an open pipe)			Increase of blowing force (%)		Noise reduction (%)	
			Up to 224%		Up to 24%	
BLOWING PERFORMANCE BJP 90 M18 24 NOZZLE*	Pressure (bar)	Air consumption (l/min)	Blowing force (N)		Noise level (dB)	Amplified blowing (l/min)
	6	630	at 150mm	at 450mm		
	6	630	6	6	76	4050
OPEN PIPE Ø5,5*	Pressure (bar)	Air consumption (l/min)		Noise level (dB)	Amplified blowing (l/min)	
	6	1250				
	6	1250		108	1250	

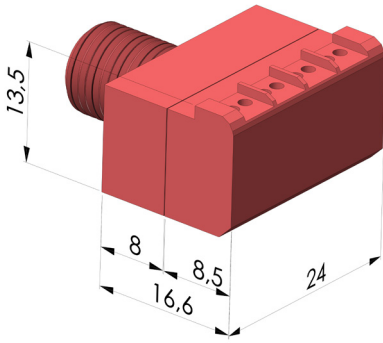
BJP 90 M18 24 NOZZLE FEATURES

- **Connection** : Male G1/8" • **Weight** : Aluminium : 13g / Stainless steel 316 L : 38g
- **Max. operating temperature** : Aluminium : 150°C / Stainless steel 316 L : 450°C • **Max pressure** : 10 bars



* **NOTE:** The measurements in this data sheet have been obtained in a laboratory under strict control. The varying conditions of a real industrial environment and the instability of pressure from an industrial compressor can create different values than the ones obtained in a laboratory. Those data are provided for information purposes only.
To achieve the best performance from the air nozzle, we recommend using a compressed air supply tube with a minimum 5,5 mm inside diameter.

DIMENSIONS



BJP 90 M18 24 ■ Anodized aluminium
BJP 90 M18 24 ACI ■ 31 6L Stainless steel

The values are given in millimeters

