

RAC-2 5 I

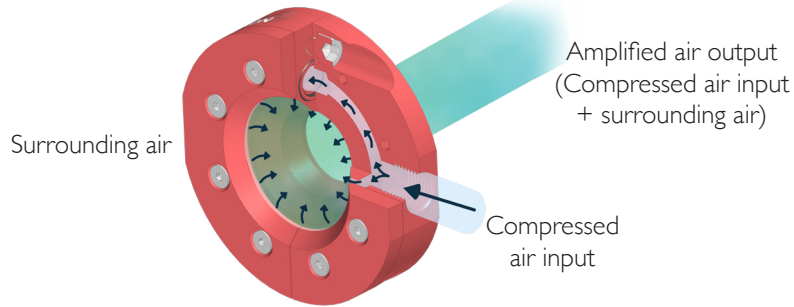
TECHNICAL SHEET

AIR KNIVES

CIRCULAR



OPERATING PRINCIPAL



Economical

UP TO **92%** SAVINGS IN AIR CONSUMPTION

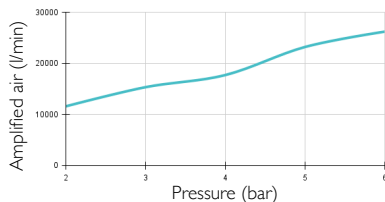
TECHNICAL INFORMATION*

BENEFITS OF USING THE RAC-2 5 I AIR KNIFE* (Compared to an open pipe)		Reduction in air consumption (%)		Noise reduction (%)		
		Up to 92%		Up to 38%		
PERFORMANCES AIR KNIFE RAC-2 5 I*	Pressure (bar)	Air consumption (l/min)	Blowing force (N)		Noise level (dB)	Amplified air (l/min)
			at 150mm	at 450mm		
	2	510	4,6	4,2	81	12750
	6	1450	12,5	11,5	90	36250
VS OPEN PIPE Ø8* (opened on 110mm)		Pressure (bar)	Air consumption (l/min)		Noise level (dB)	Amplified air (l/min)
		6	6200		130	6200

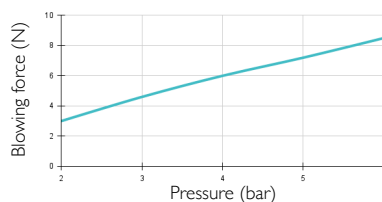
RAC-2 5 I AIR KNIFE FEATURES

- **Connection** : Female G1/4" • **Weight** : Aluminium : 388g / Stainless steel 316 L : 1 087g
- **Max. operating temperature** : Aluminium : 150°C / Stainless steel 316 L : 450°C • **Max pressure** : 10 bars

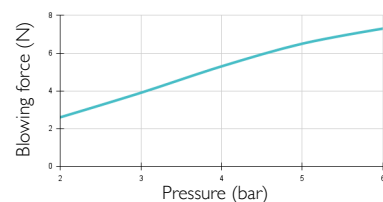
AMPLIFIED AIRSTREAM
DEPENDING ON PRESSURE*



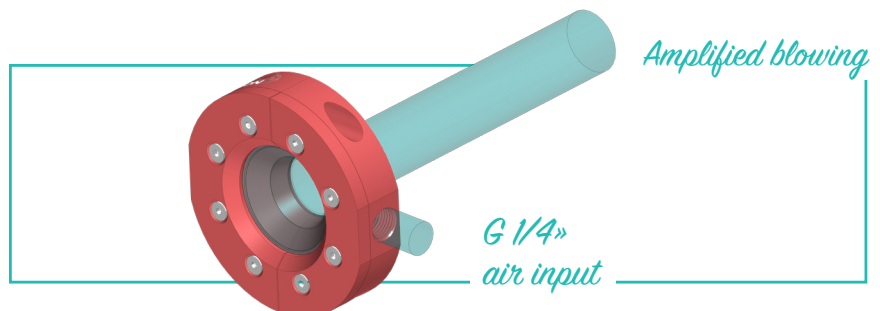
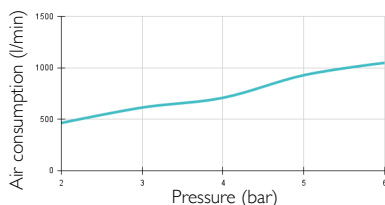
BLOWING FORCE AT 150 MM
DEPENDING ON PRESSURE*



BLOWING FORCE AT 450 MM
DEPENDING ON PRESSURE*

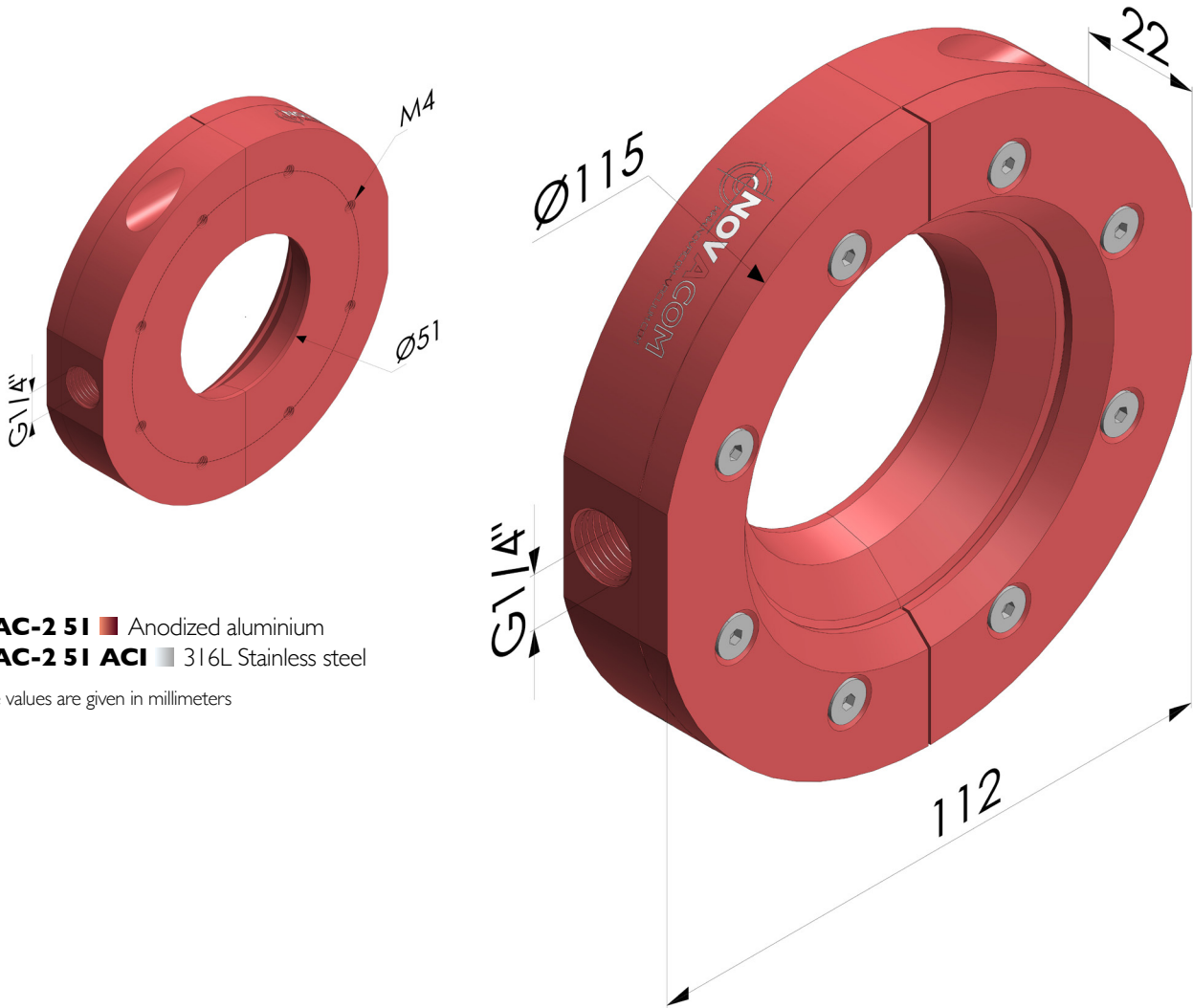


AIR CONSUMPTION
DEPENDING ON PRESSURE*



* **NOTE:** The measurements in this data sheet have been obtained in a laboratory under strict control. The varying conditions of a real industrial environment and the instability of pressure from an industrial compressor can create different values than the ones obtained in a laboratory. Those data are provided for information purposes only. To achieve the best performance from the air knives, we recommend using a compressed air supply tube with a minimum 8 mm inside diameter.

DIMENSIONS



RAC-2 5I ■ Anodized aluminium
RAC-2 5I ACI ■ 316L Stainless steel

The values are given in millimeters