

RAC-2 25

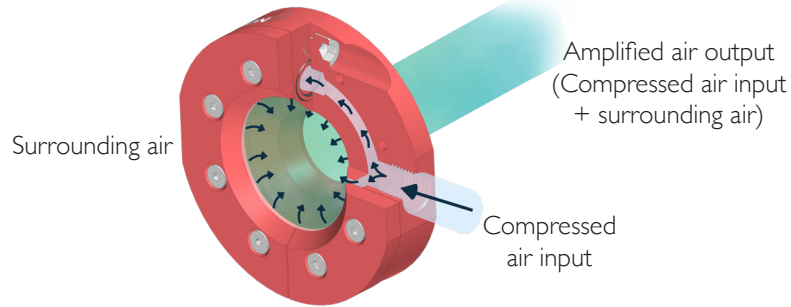
TECHNICAL SHEET

AIR KNIVES

CIRCULAR



OPERATING PRINCIPAL



Economical

UP TO **91%** SAVINGS IN AIR CONSUMPTION

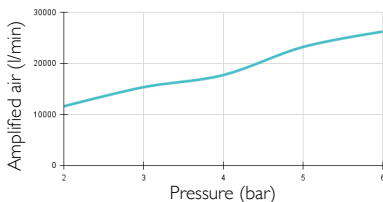
TECHNICAL INFORMATION*

BENEFITS OF USING THE RAC-2 25 AIR KNIFE* (Compared to an open pipe)		Reduction in air consumption (%)		Noise reduction (%)		
		Up to 91%		Up to 37%		
PERFORMANCES AIR KNIFE RAC-2 25*	Pressure (bar)	Air consumption (l/min)	Blowing force (N)		Noise level (dB)	Amplified air (l/min)
			at 150mm	at 450mm		
	2	465	3	2,6	82	11625
	6	1050	8,5	7,5	90	26250
VS						
OPEN PIPE Ø8* (opened on 70mm)	Pressure (bar)	Air consumption (l/min)	Noise level (dB)		Amplified air (l/min)	
	6	5400	130		5400	

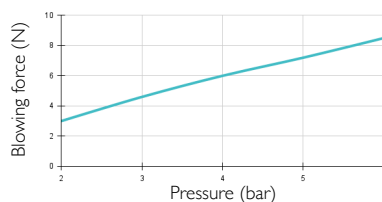
RAC-2 25 AIR KNIFE FEATURES

- **Connection** : Female G1/4" • **Weight** : Aluminium : 273g / Stainless steel 316 L : 758g
- **Max. operating temperature** : Aluminium : 150°C / Stainless steel 316 L : 450°C • **Max pressure** : 10 bars

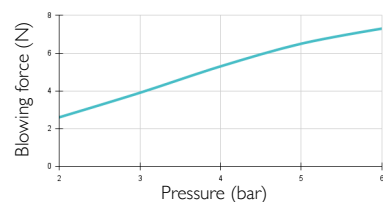
AMPLIFIED AIRSTREAM
DEPENDING ON PRESSURE*



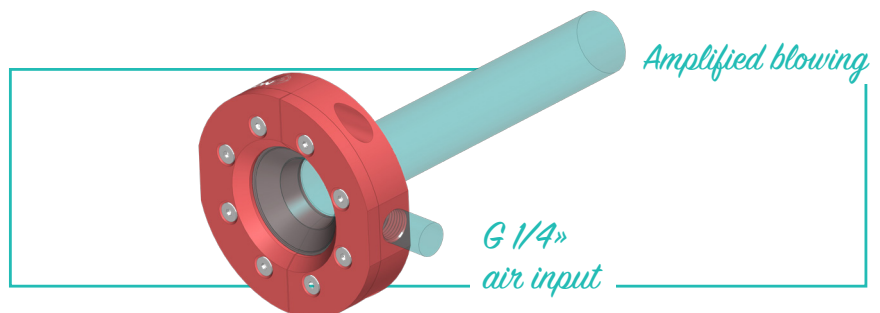
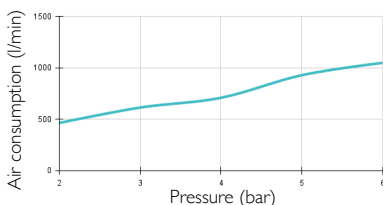
BLOWING FORCE AT 150 MM
DEPENDING ON PRESSURE*



BLOWING FORCE AT 450 MM
DEPENDING ON PRESSURE*

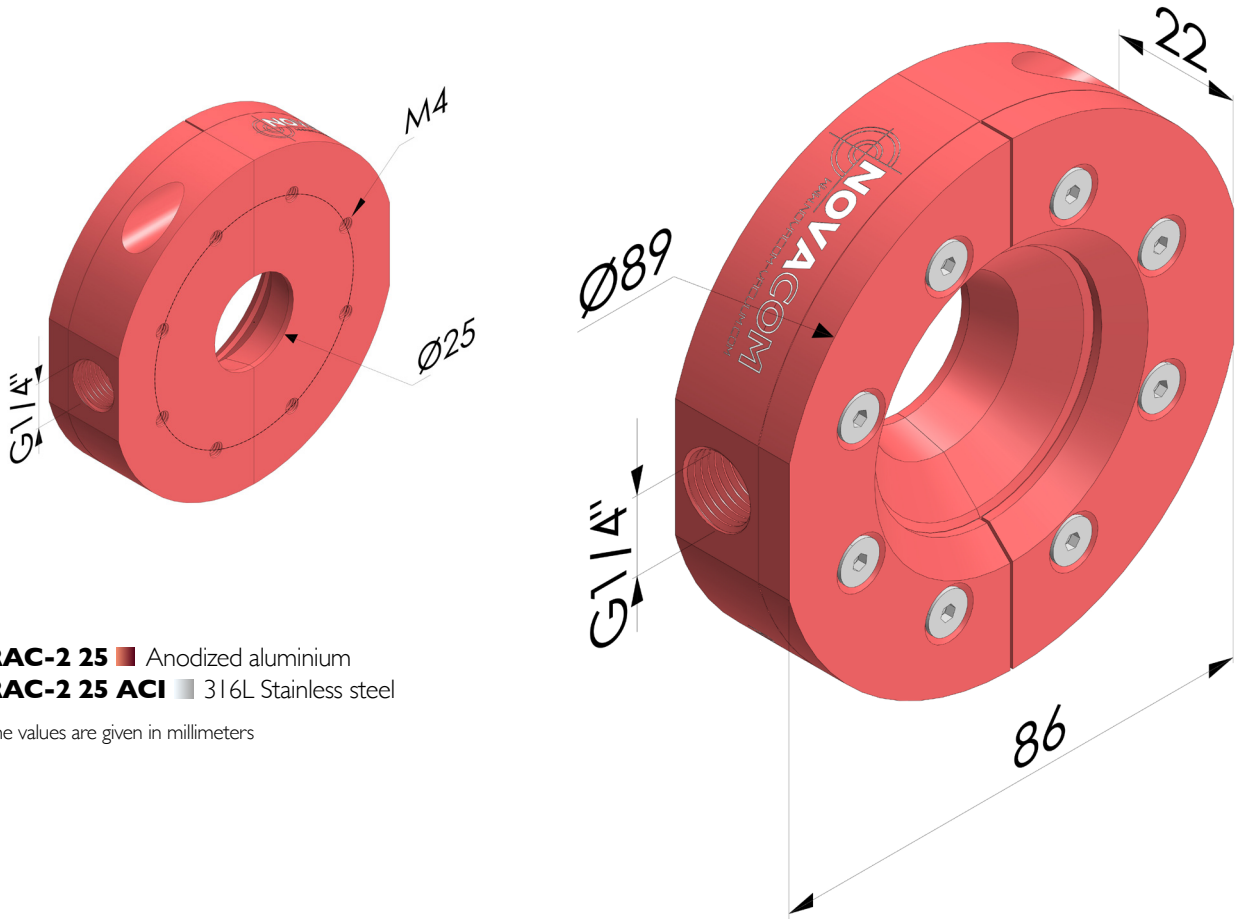


AIR CONSUMPTION
DEPENDING ON PRESSURE*



* **NOTE:** The measurements in this data sheet have been obtained in a laboratory under strict control. The varying conditions of a real industrial environment and the instability of pressure from an industrial compressor can create different values than the ones obtained in a laboratory. Those data are provided for information purposes only. To achieve the best performance from the air knives, we recommend using a compressed air supply tube with a minimum 8 mm inside diameter.

DIMENSIONS



RAC-2 25 ■ Anodized aluminium
RAC-2 25 ACI ■ 316L Stainless steel

The values are given in millimeters