

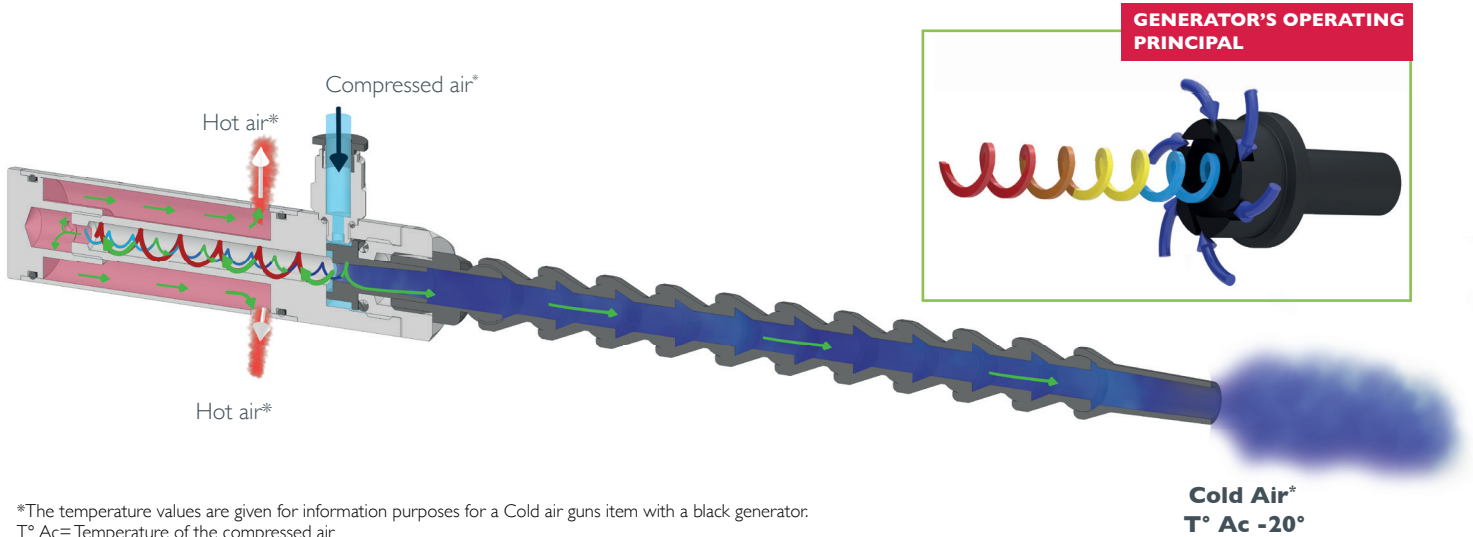
# CS 5

## TECHNICAL SHEET

### COLD AIR GUNS




#### OPERATING PRINCIPAL



\*The temperature values are given for information purposes for a Cold air guns item with a black generator:  
T° Ac= Temperature of the compressed air

#### TECHNICAL INFORMATION

ITEM NUMBER	CONNECTION (GAZ)	GENERATOR	CONSUMED AIR (L/MN)		COOLING CAPACITY		AIR FLOW AT OUTLET (L/MIN)		BENEFITS (M)	WEIGHT (G)	MATERIAL
			6 BARS	7 BARS	(KCAL/H)**	(BTU/H)	6 BARS	7 BARS			
CS 5R	Ø6		248	282	130	396,83	105	130	Compact, low consumption	291	Stainless steel

#### RECOMMENDATIONS

- Recommended compressed air pressure 7bar

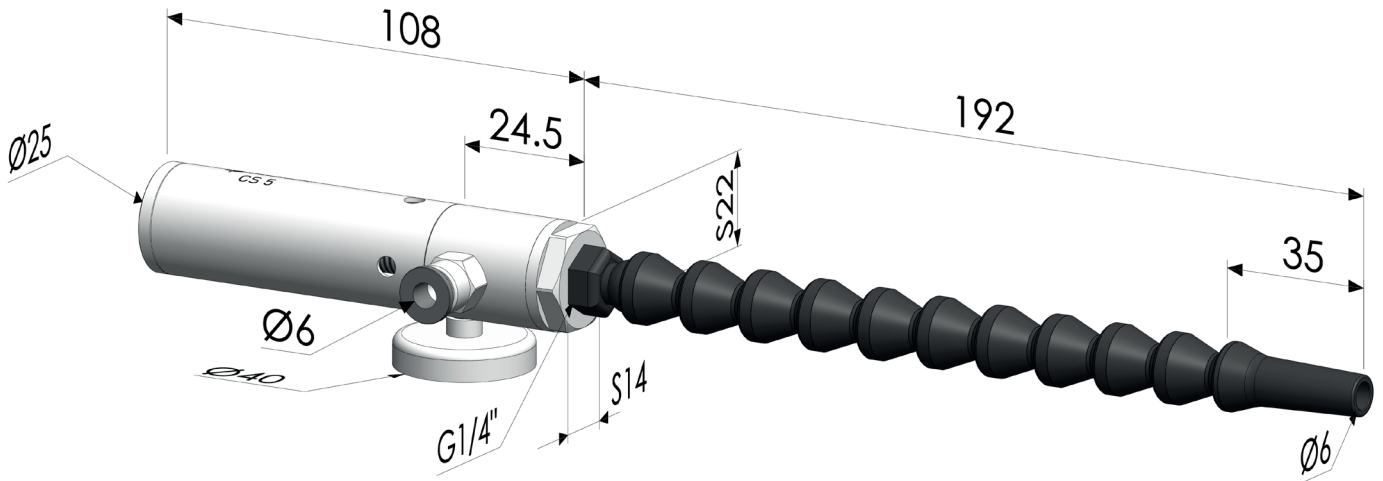
It is best not to use elbow fittings for the supply of compressed air on this product, you may have power losses.



For optimal results, we recommend using an 8 mm inside diameter tube for Cold air guns.

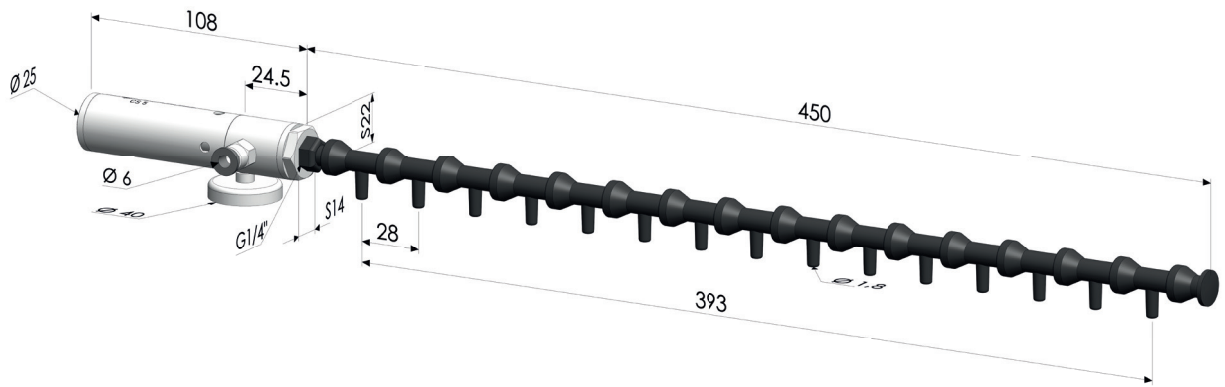
\*\*The kilocalorie is an energy unit, a kilocalorie (equals 1000cal) represents the quantity of energy needed to reduce the temperature of 1 °C inside 1000 liters of water.

**DIMENSIONS**

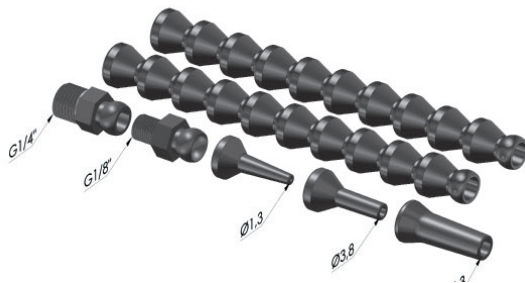


**CS5-R**

**OPTIONAL**



**CS 5 TD ■ POM**



**K0600 ■ POM**



**Q0600 ■ POM**