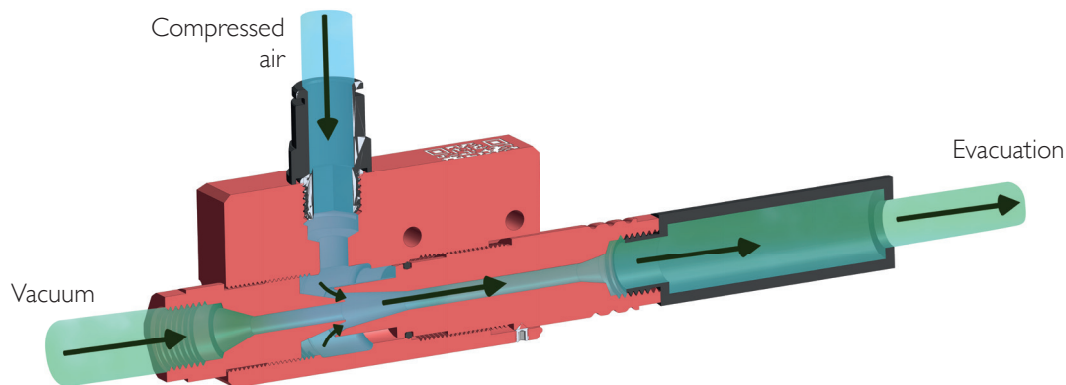


VCR-2 150 14 EV TECHNICAL SHEET SINGLE-STAGE EJECTOR VCR-2 SERIES



OPERATING PRINCIPAL



Vacuum

UP TO
85%
OF VACUUM

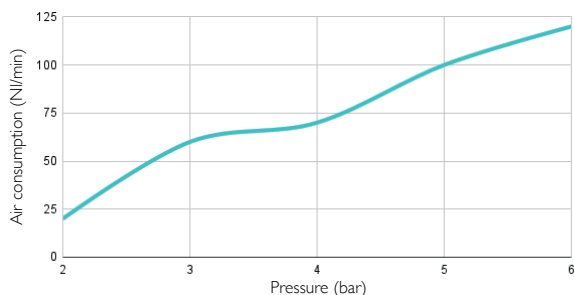
TECHNICAL INFORMATION*

BENEFITS OF USING SINGLE-STAGE EJECTOR VCR-2 150 14 EV*	Pressure (bar)	Air consumption (NI/mn)	Noise level (dB)	Vacuum level (%)	Suction rate (NI/min)
		6	120	82	85

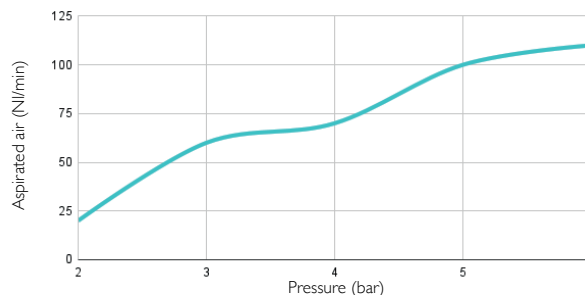
VCR-2 150 14 EV* FEATURES

- Connection : Female G1/4" • Weight : Aluminium : 214 g • Max.Operating Temperature : 60 °C
- • Max pressure : 7 bar • Materials : Aluminium, standard nitrile seal

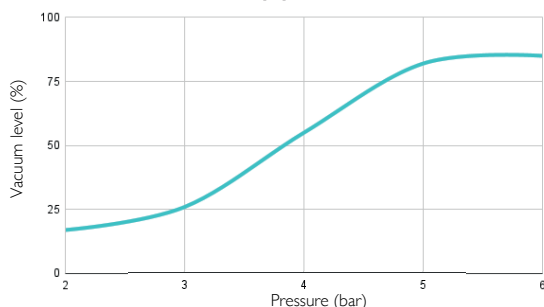
AIR CONSUMPTION DEPENDING ON PRESSURE



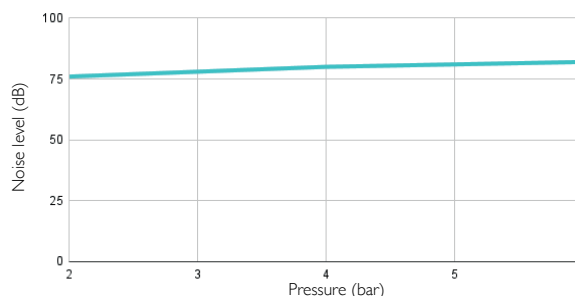
ASPIRATED AIR DEPENDING ON PRESSURE



VACUUM LEVEL (%) DEPENDING ON PRESSURE

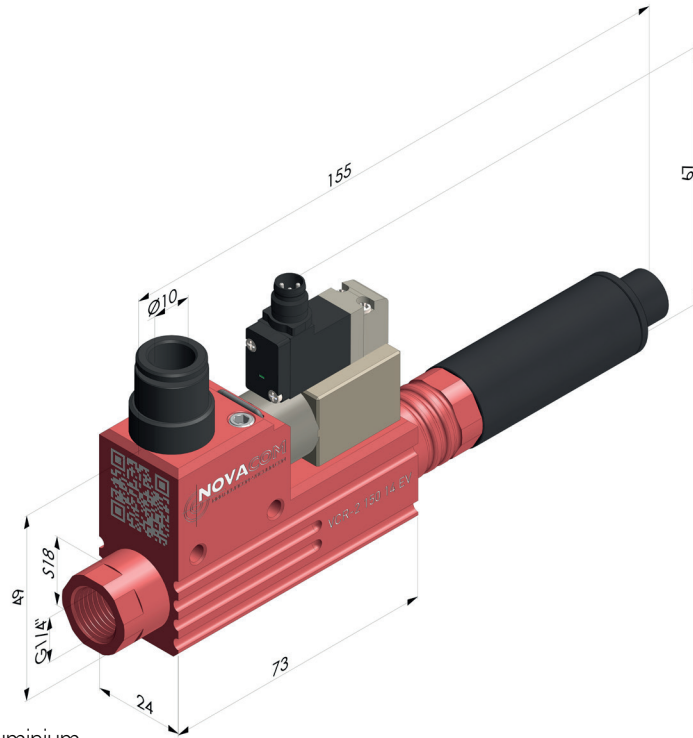


NOISE LEVEL DEPENDING ON PRESSURE

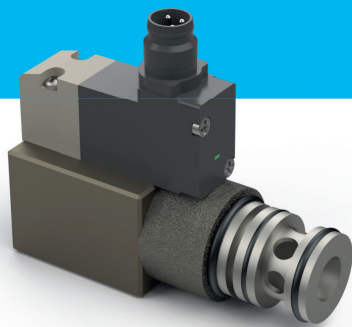


* NOTE : We recommend using a Ø8mm tube to supply the VCR-2 150 14 EV, in order to obtain optimal performances.

DIMENSIONS

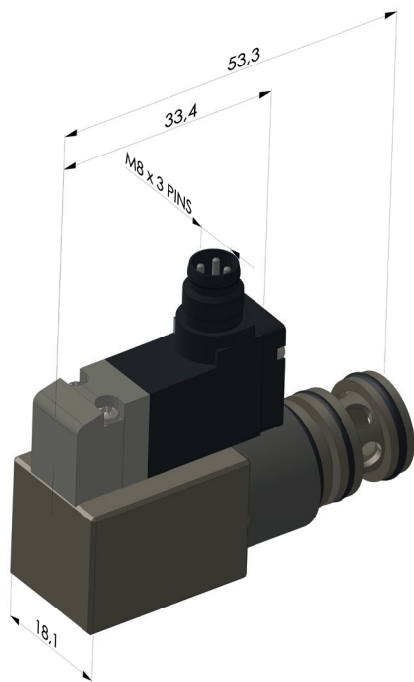


VCR-2 150 14 EV ■ Aluminium



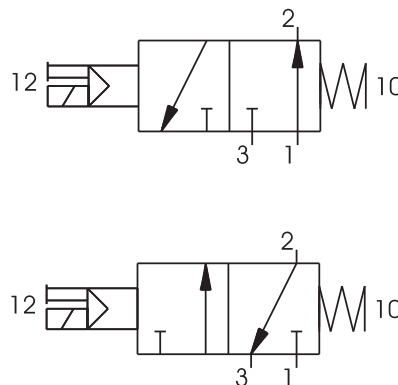
TECHNICAL SHEET SOLENOID VALVE

DIMENSIONS



Body: brass
Operator: technopolymer
Spools: aluminium
Seals: nitrile
Pistons: aluminium
Springs: spring steel

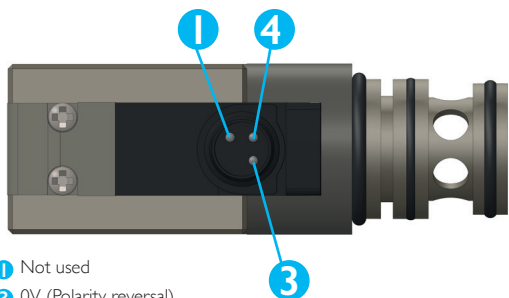
WIRING DIAGRAM



TECHNICAL INFORMATION

ITEM NUMBER	FLUID	MAX. OPERATING PRESSURE (BAR)	OPERATING TEMPERATURE (°C)	FLOW AT 6 BAR WITH $\Delta P = 1$ (NL / MIN)	WEIGHT (G)	AVAILABLE VOLTAGE	ELECTRICITY CONSUMPTION	CONNECTION TYPE	CYCLE COUNT	RESPONSE TIME	
										TURNING ON	TURNING OFF
EV 24 VDC 1,2W	Filtered and lubricated air	7	-10 to +60 °C	700	18	24VDC	1,2w	PLUG IN M8 3 PIN - IP65 - Threaded fitting	50 000 000	12 ms	35 ms

ASSEMBLING



- 1 Not used
- 3 0V (Polarity reversal)
- 4 +24V



- Brown 1 Not used
- Blue 3 0V
- Black 4 +24V