

VCR-2 150 14 EV CS

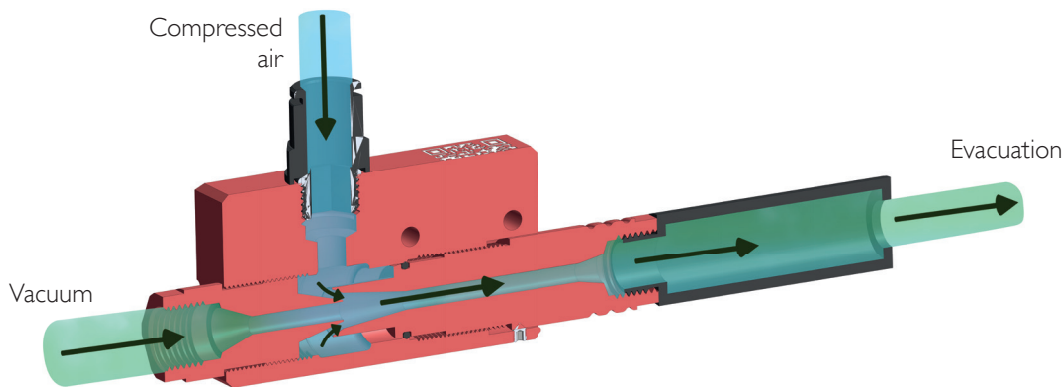
TECHNICAL SHEET

SINGLE-STAGE EJECTOR

VCR-2 SERIES



OPERATING PRINCIPAL



Vacuum

UP TO
83%
OF VACUUM

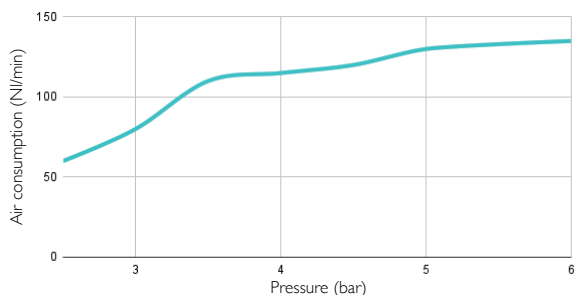
TECHNICAL INFORMATION*

| BENEFITS OF USING SINGLE-STAGE EJECTOR VCR-2 150 14 EV CS* | Pressure (bar) | Air consumption (NI/mn) | Noise level (dB) | Vacuum level (%) | Suction rate (NI/min) |
|--|----------------|-------------------------|------------------|------------------|-----------------------|
| | | 6 | 135 | 82 | 83 |

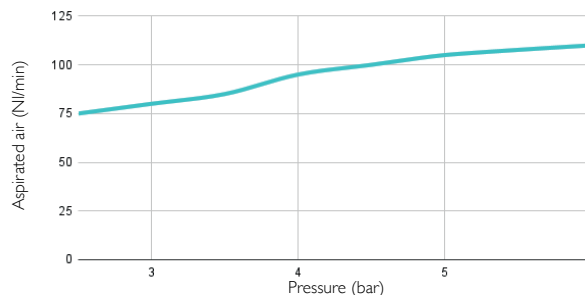
VCR-2 150 14 EV CS* FEATURES

- **Connection** : Female G1/4" • **Weight** : Aluminium : 345g • **Max.Operating Temperature** : Aluminium : 60 °C
- **Max pressure** : 7 bar • **Materials** : Aluminium, standard nitrile seal

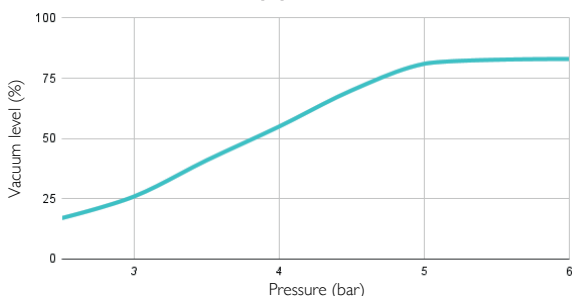
AIR CONSUMPTION DEPENDING ON PRESSURE



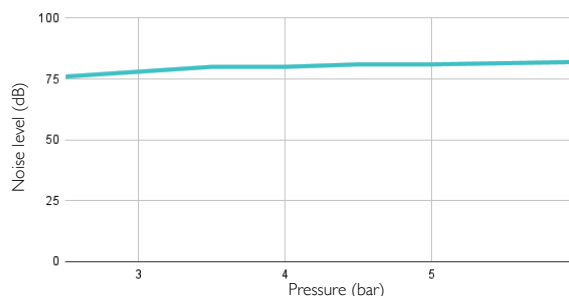
ASPIRATED AIR DEPENDING ON PRESSURE



VACUUM LEVEL (%) DEPENDING ON PRESSURE

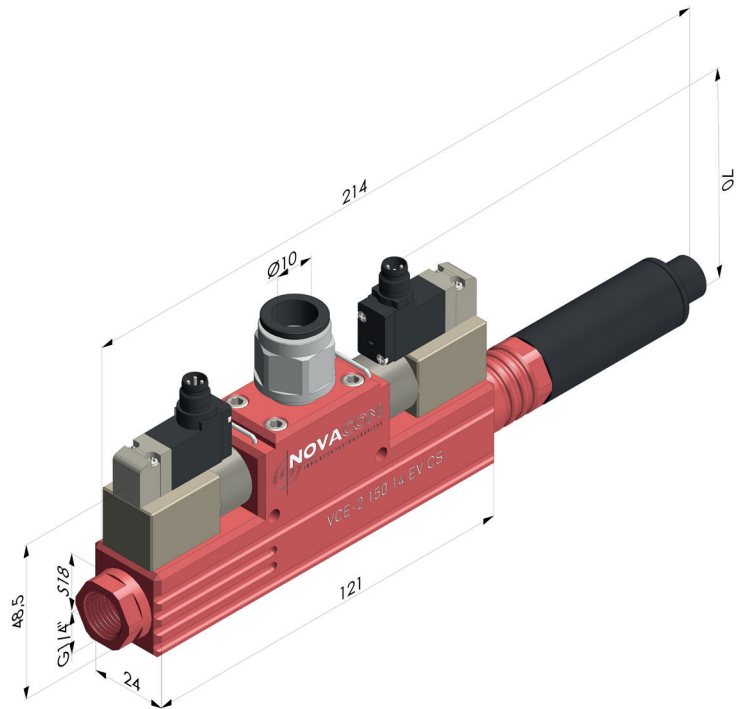


AIR COUNTER-BLOWN DEPENDING ON PRESSURE

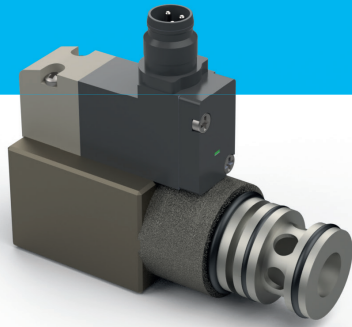


* **NOTE** : We recommend using a Ø8mm tube to supply the VCR-2 150 14 EV CS, in order to obtain optimal performances.

DIMENSIONS

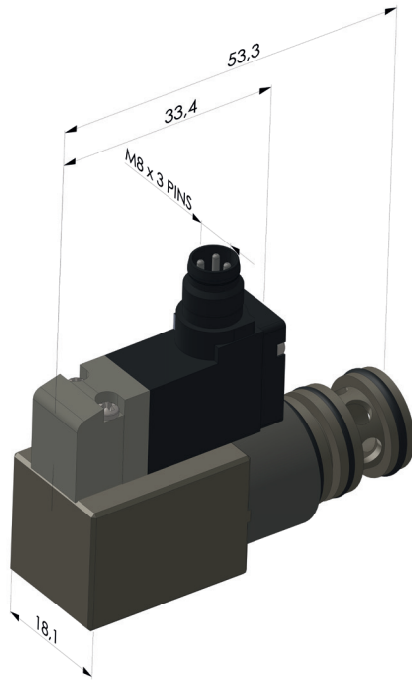


VCR-2 150 14 EV CS ■ Aluminium



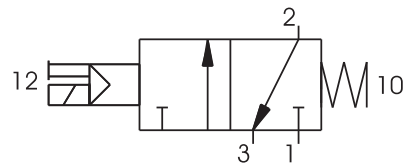
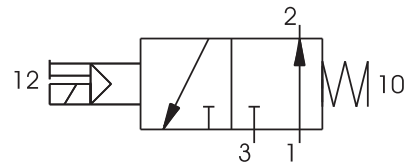
TECHNICAL SHEET SOLENOID VALVE

DIMENSIONS



Body: brass
Operator: technopolymer
Spools: aluminium
Seals: nitrile
Pistons: aluminium
Springs: spring steel

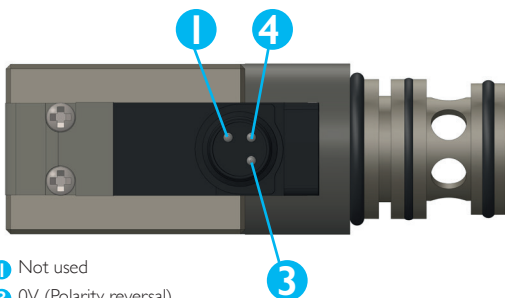
WIRING DIAGRAM



TECHNICAL INFORMATION

| ITEM NUMBER | FLUID | MAX. OPERATING PRESSURE (BAR) | OPERATING TEMPERATURE (°C) | FLOW AT 6 BAR WITH $\Delta P = 1$ (NL / MIN) | WEIGHT (G) | AVAILABLE VOLTAGE | ELECTRICITY CONSUMPTION | CONNECTION TYPE | CYCLE COUNT | RESPONSE TIME | |
|----------------|-----------------------------|-------------------------------|----------------------------|--|------------|-------------------|-------------------------|--|-------------|---------------|-------------|
| | | | | | | | | | | TURNING ON | TURNING OFF |
| EV 24 VDC 1,2W | Filtered and lubricated air | 7 | -10 to +60 °C | 700 | 18 | 24VDC | 1,2w | PLUG IN M8 3 PIN - IP65 - Threaded fitting | 50 000 000 | 12 ms | 35 ms |

ASSEMBLING



- 1 Not used
- 3 0V (Polarity reversal)
- 4 +24V



- Brown 1 Not used
- Blue 3 0V
- Black 4 +24V