

# VCR-2 200 14 EV

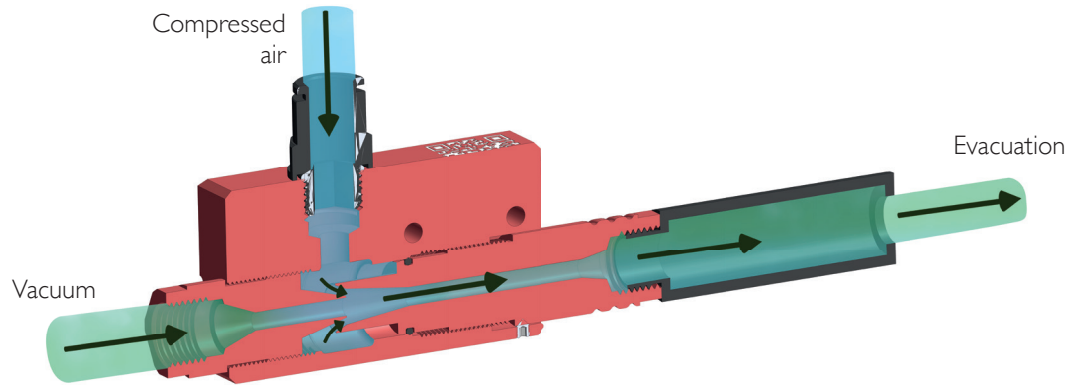
## TECHNICAL SHEET

### SINGLE-STAGE EJECTOR

### VCR-2 SERIES



#### OPERATING PRINCIPAL



Vacuum

UP TO  
**85%**  
OF VACUUM

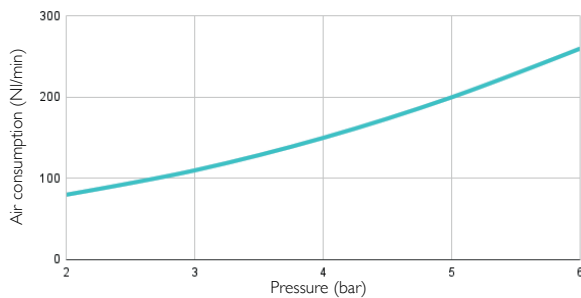
#### TECHNICAL INFORMATION\*

BENEFITS OF USING A SINGLE-STAGE EJECTOR VCR-2 200 14 EV*	Pressure (bar)	Air consumption (NI/mn)	Noise level (dB)	Vacuum level (%)	Suction rate (NI/min)
		6	260	82	85

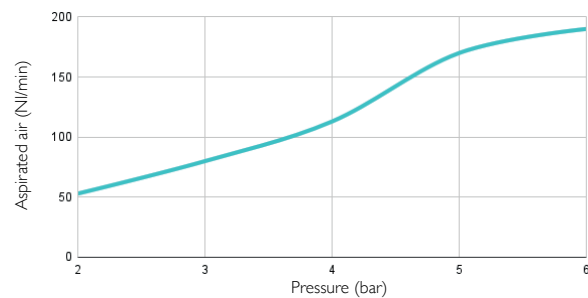
#### VCR-2 200 14 EV\* FEATURES

- **Connection :** Female G1/4" • **Weight :** Aluminium : 214 g • **Max. Operating Temperature :** Aluminium : 60 °C
- **Max pressure :** 7 bar • **Materials :** Aluminium, standard nitrile seal

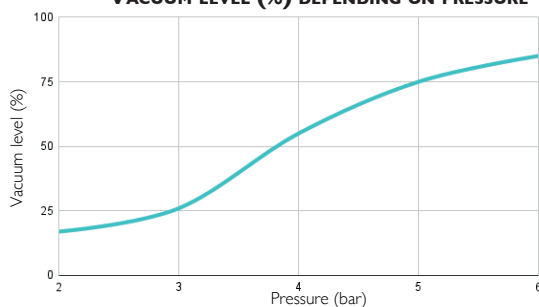
**AIR CONSUMPTION DEPENDING ON PRESSURE**



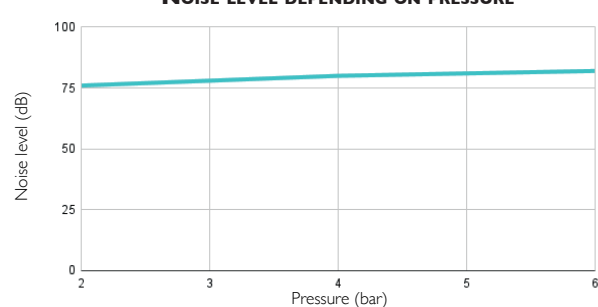
**ASPIRATED AIR DEPENDING ON PRESSURE**



**VACUUM LEVEL (%) DEPENDING ON PRESSURE**

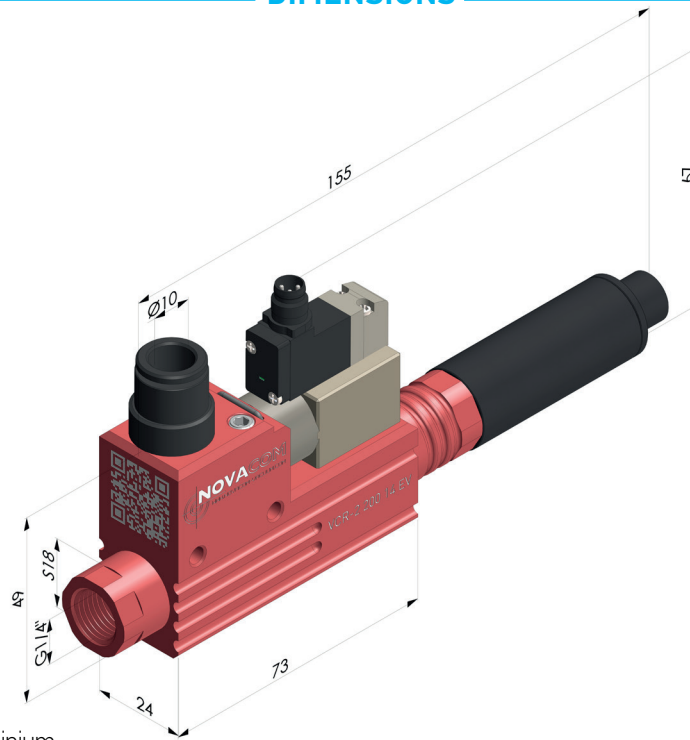


**NOISE LEVEL DEPENDING ON PRESSURE**

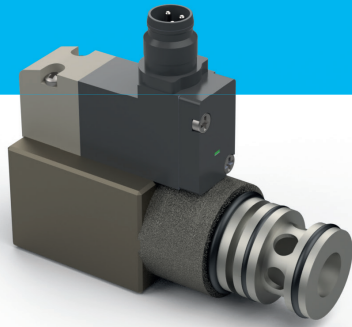


\* **NOTE :** We recommend using a Ø8mm tube to supply the VCR-2 200 14 EV, in order to obtain optimal performances.

## DIMENSIONS

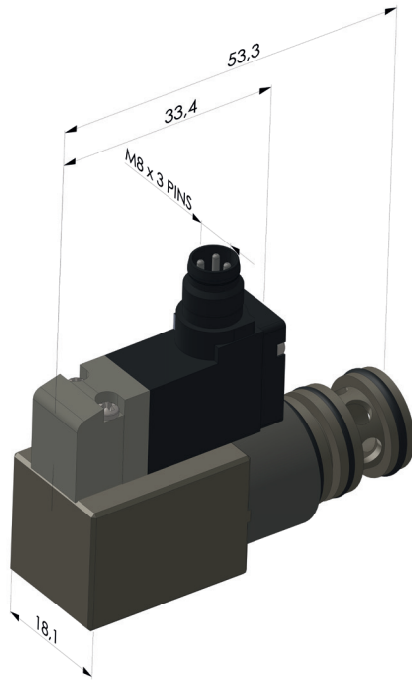


**VCR-2 200 14 EV** ■ Aluminium



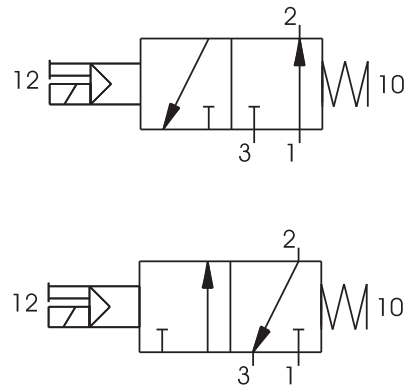
# TECHNICAL SHEET SOLENOID VALVE

## DIMENSIONS



**Body:** brass  
**Operator:** technopolymer  
**Spools:** aluminium  
**Seals:** nitrile  
**Pistons:** aluminium  
**Springs:** spring steel

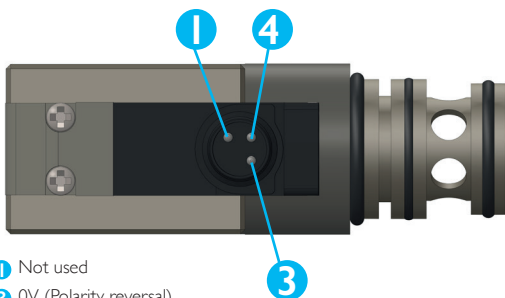
## WIRING DIAGRAM



## TECHNICAL INFORMATION

ITEM NUMBER	FLUID	MAX. OPERATING PRESSURE (BAR)	OPERATING TEMPERATURE (°C)	FLOW AT 6 BAR WITH $\Delta P = 1$ (NL / MIN)	WEIGHT (G)	AVAILABLE VOLTAGE	ELECTRICITY CONSUMPTION	CONNECTION TYPE	CYCLE COUNT	RESPONSE TIME	
										TURNING ON	TURNING OFF
<b>EV 24 VDC 1,2W</b>	Filtered and lubricated air	7	-10 to +60 °C	700	18	24VDC	1,2w	PLUG IN M8 3 PIN - IP65 - Threaded fitting	50 000 000	12 ms	35 ms

## ASSEMBLING



- 1 Not used
- 3 0V (Polarity reversal)
- 4 +24V



- Brown 1 Not used
- Blue 3 0V
- Black 4 +24V