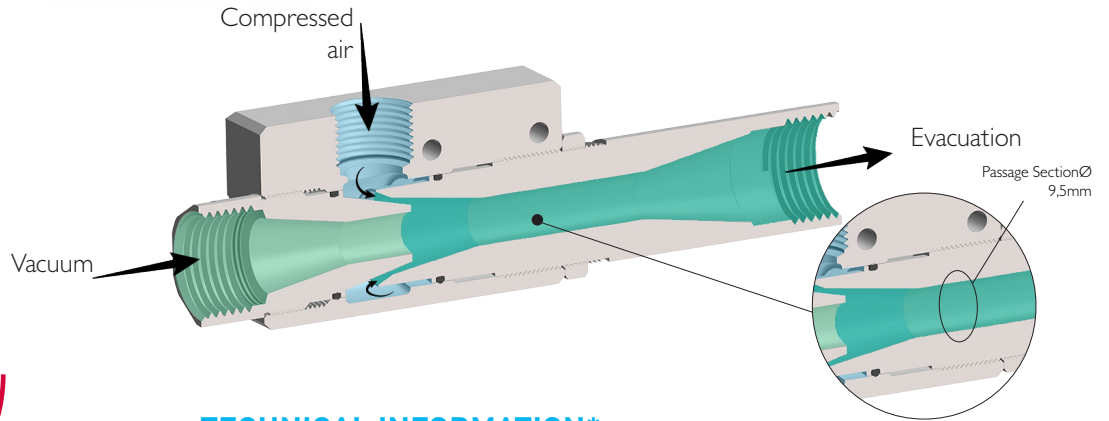


# VCR-2 375 ACI TECHNICAL SHEET SINGLE-STAGE EJECTOR VCR-2 SERIES



## OPERATING PRINCIPAL



Vacuum  
 UP TO  
**85%**  
 OF VACUUM

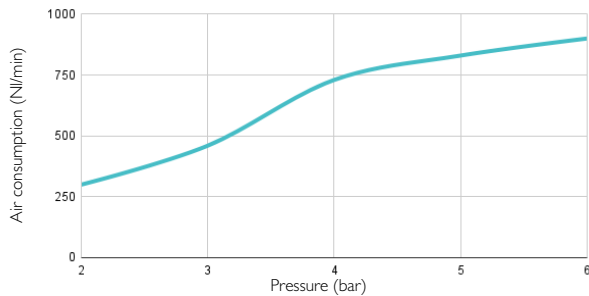
## TECHNICAL INFORMATION\*

BENEFITS OF USING A SINGLE-STAGE EJECTOR VCR-2 375*	Pressure (bar)	Air consumption (NI/mn)	Noise level (dB)	Vacuum level (%)	Suction rate (NI/min)
		6	900	82	85

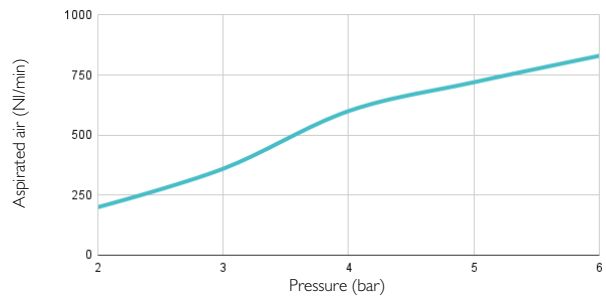
### VCR-2 375 ACI FEATURES\*

- Connection : Female G3/8» • Weight : 650 g • Max. Operating Temperature : Stainless steel 316 L : 80 °C
- Max pressure : 7 bar • Materials : Aluminium / Stainless Steel 316L, standard nitrile seal

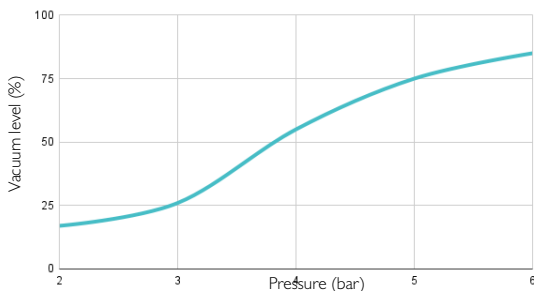
**AIR CONSUMPTION DEPENDING ON PRESSURE**



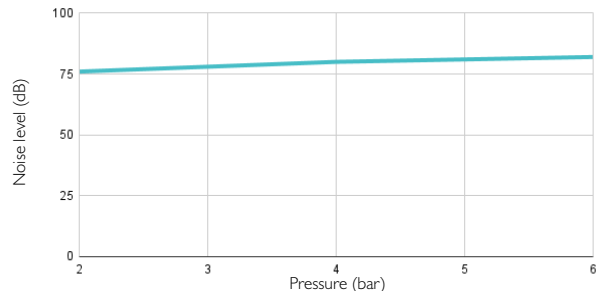
**ASPIRATED AIR DEPENDING ON PRESSURE**



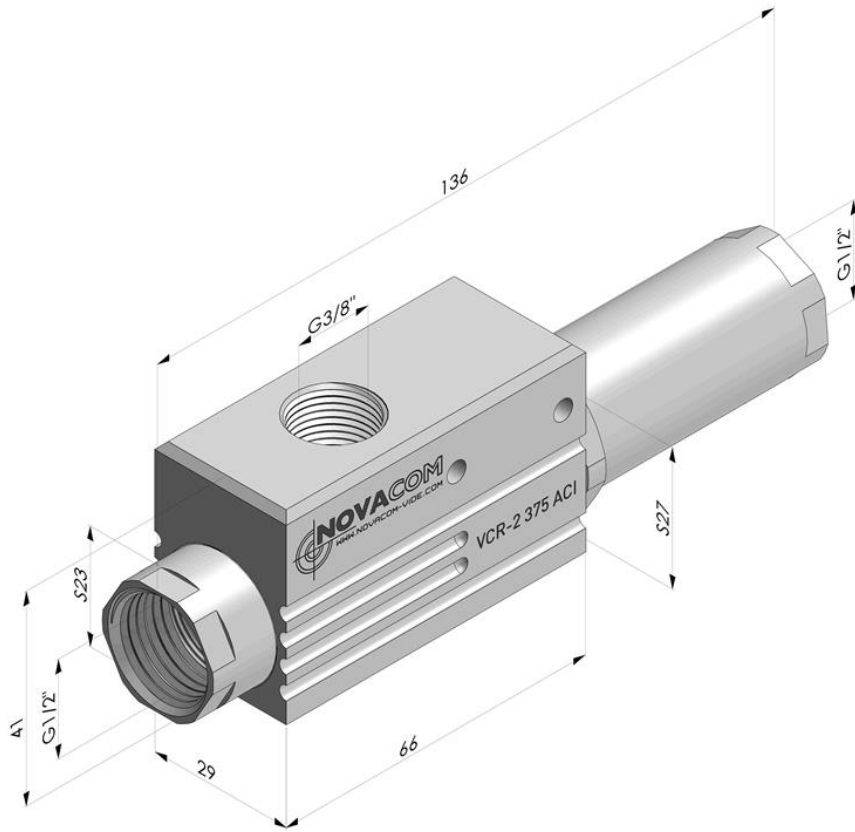
**VACUUM LEVEL (%) DEPENDING ON PRESSURE**



**NOISE LEVEL DEPENDING ON PRESSURE**



\* NOTE : We recommend using a Ø8mm tube to supply the VCR-2 375, in order to obtain optimal performances.



**VCR-2 375 ACI** ■ Stainless steel 316L