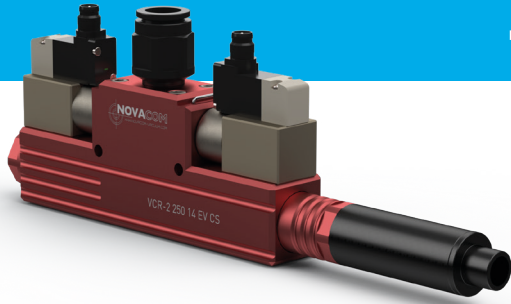


VCR-2 250 14 EV CS

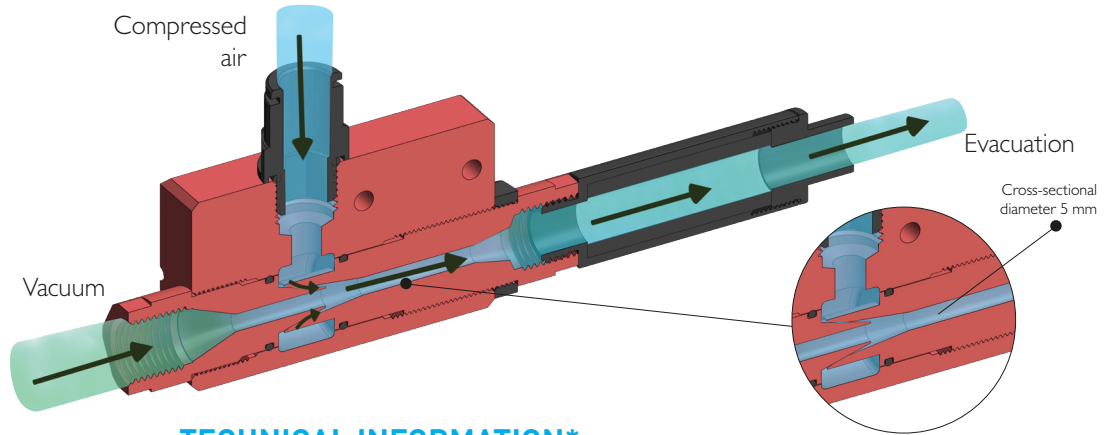
TECHNICAL SHEET

SINGLE-STAGE EJECTOR

VCR-2 SERIES



OPERATING PRINCIPAL



Vacuum

UP TO

82%

OF VACUUM

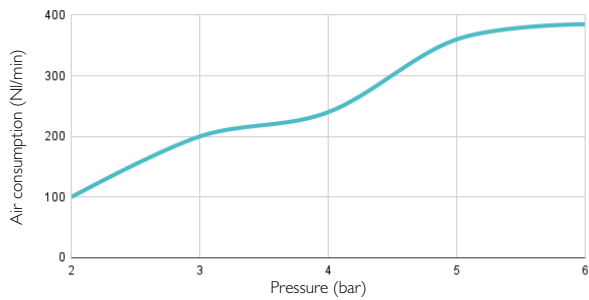
TECHNICAL INFORMATION*

BENEFITS OF USING A SINGLE-STAGE EJECTOR VCR-2 250 14 EV CS*	Pressure (bar)	Air consumption (NI/mn)	Noise level (dB)	Vacuum level (%)	Suction rate (NI/min)
		6	385	82	82

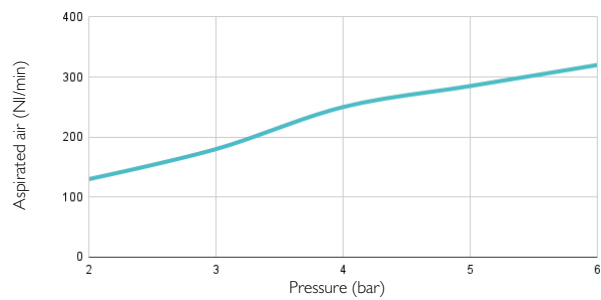
VCR-2 250 14 EV CS* FEATURES

- Connection : Female G1/4" • Weight : Aluminium : 345 g • Max.Operating Temperature : Aluminium : 60 °C
- Max pressure : 7 bar • Materials : Aluminium, standard nitrile seal

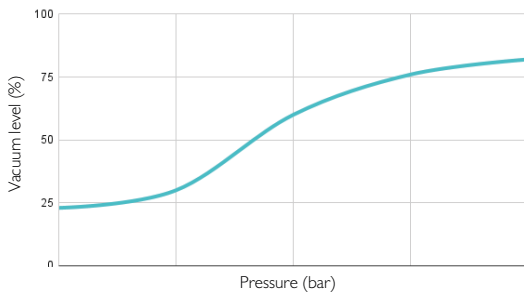
AIR CONSUMPTION DEPENDING ON PRESSURE



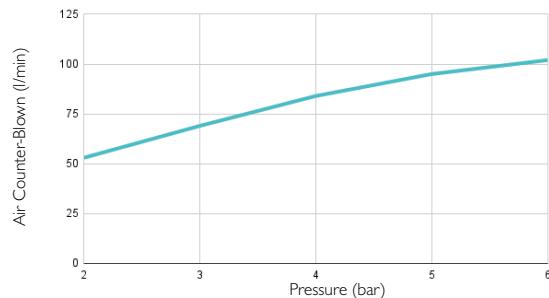
ASPIRATED AIR DEPENDING ON PRESSURE



VACUUM LEVEL (%) DEPENDING ON PRESSURE

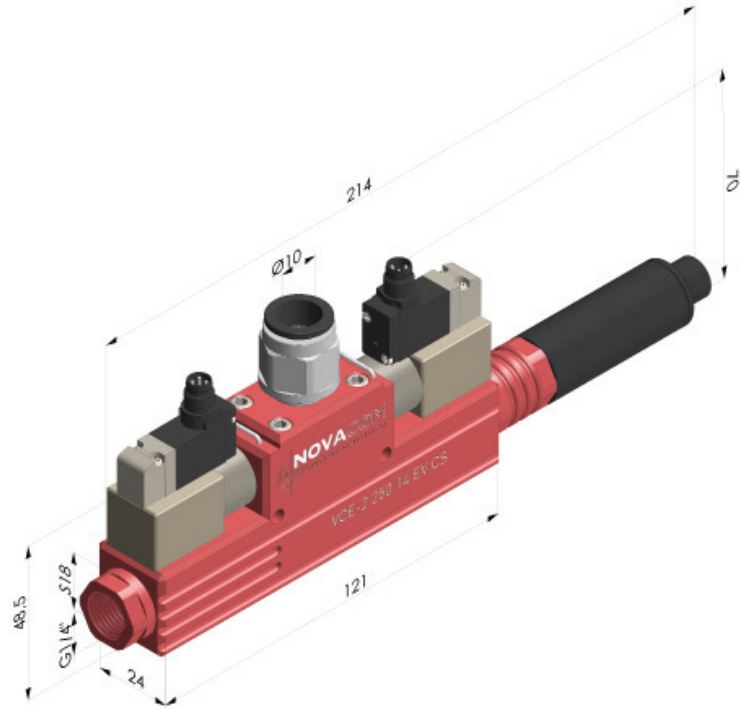


AIR COUNTER-BLOWN DEPENDING ON PRESSURE



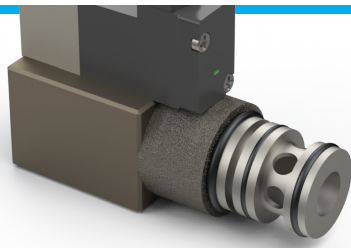
* NOTE : We recommend using a Ø 8mm tube to supply the VCR-2 250 14 EV CS, in order to obtain optimal performances.

DIMENSIONS

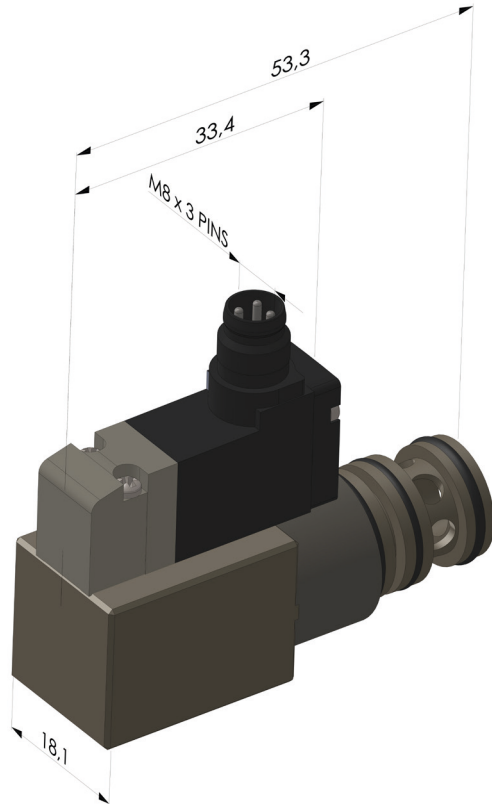


VCR-2 250 14 EV CS ■ Aluminium

TECHNICAL SHEET SOLENOID VALVE

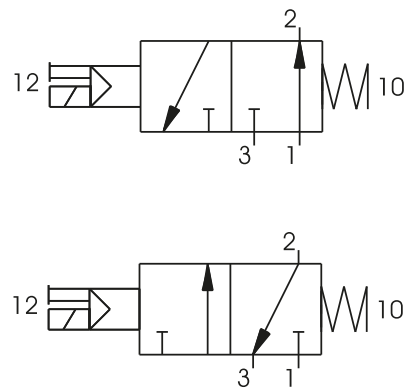


DIMENSIONS



Body: brass
Operator: technopolymer
Spools: aluminium
Seals: nitrile
Pistons: aluminium
Springs: spring steel

WIRING DIAGRAM



TECHNICAL INFORMATION

ITEM NUMBER	FLUID	MAX. OPERATING PRESSURE (BAR)	OPERATING TEMPERATURE (°C)	FLOW AT 6 BAR WITH $\Delta P = 1$ (NL / MIN)	WEIGHT (G)	AVAILABLE VOLTAGE	CONNECTION TYPE	CYCLE COUNT	RESPONSE TIME	
									TURNING ON	TURNING OFF
EV 24VDC 1,2W	Filtered and lubricated air	7	-10 to +60 °C	700	18	24 VDC	PLUG IN M8 3 PIN - IP65 - Threaded fitting	50 000 000	12 ms	35 ms