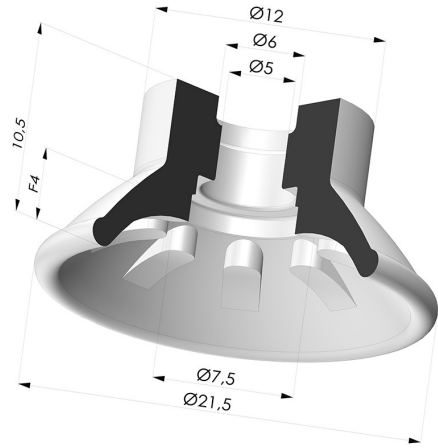


TECHNICAL INFORMATION

Range : Suction cup
Category : Plates
Matter : Polyurethane
Series : 99
Height (in mm) : 10.5
Shape : Plate
Contact lip diameter : 21.5
inner barrel diameter : 5
Number of bellows : 0.5 Bellows
Horizontal force : 14 N
Vertical force : 7 N
Arrow : 4 mm



Variants:



Variant reference:

99A 20PU A

- Color: Red
- Matter: Polyurethane
- Shore Hardness: SH40



Variant reference:

99B 20PU A

- Color: Green
- Matter: Polyurethane
- Shore Hardness: SH60

Related products:



Separable Female Fitting M5

Product reference:
 9PM5-2



Separable Female Fitting M5 - with Filter

Product reference:
 9PM5-2-F



Separable Female Fitting M5 - with Spray Nozzle

Product reference:
 9PM5-2-GIC



Separable Male Fitting 1/8G - with Filter

Product reference:
 9PM18-4-F



Separable Female Fitting 1/8G - with Filter

Product reference:
 9PF18-4-F