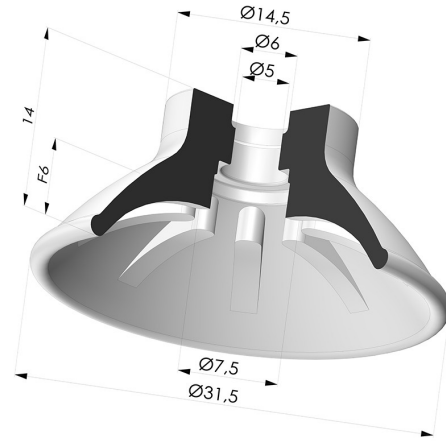


**TECHNICAL INFORMATION**

**Range :** Suction cup  
**Category :** Plates  
**Matter :** Polyurethane  
**Series :** 99  
**Height (in mm) :** 14  
**Shape :** Plate  
**Contact lip diameter :** 31.5  
**inner barrel diameter :** 5  
**Number of bellows :** 0.5 Bellows  
**Horizontal force :** 32 N  
**Vertical force :** 16 N  
**Arrow :** 6 mm



**Variants:**



Variant reference:

**99A 30PU A**

- Color: Red
- Matter: Polyurethane
- Shore Hardness: SH40



Variant reference:

**99B 30PU A**

- Color: Green
- Matter: Polyurethane
- Shore Hardness: SH60

**Related products:**



**Separable Female Fitting M5**

Product reference:  
 9PM5-2



**Separable Female Fitting M5 - with Filter**

Product reference:  
 9PM5-2-F



**Separable Female Fitting M5 - with Spray Nozzle**

Product reference:  
 9PM5-2-GIC



**Separable Male Fitting 1/8G - with Filter**

Product reference:  
 9PM18-4-F



**Separable Female Fitting 1/8G - with Filter**

Product reference:  
 9PF18-4-F