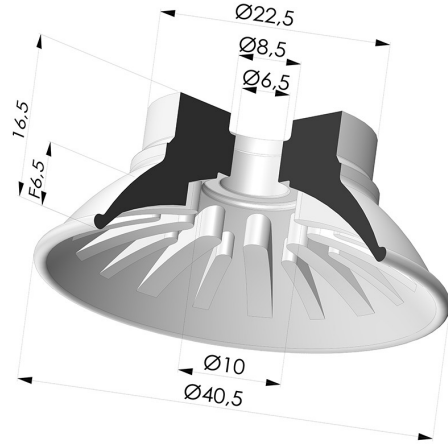


**TECHNICAL INFORMATION**

<b>Range :</b>	Suction cup
<b>Category :</b>	Plates
<b>Matter :</b>	Polyurethane
<b>Series :</b>	99
<b>Height (in mm) :</b>	16.5
<b>Shape :</b>	Plate
<b>Contact lip diameter :</b>	40.5 mm
<b>inner barrel diameter :</b>	6.5 mm
<b>Number of bellows :</b>	0.5 Bellows
<b>Horizontal force :</b>	54 N
<b>Vertical force :</b>	27 N
<b>Arrow :</b>	6.5 mm



**Variants:**



Variant reference:

**99A 40PU A**

- Color: Red
- Matter: Polyurethane
- Shore Hardness: SH40



Variant reference:

**99B 40PU A**

- Color: Green
- Matter: Polyurethane
- Shore Hardness: SH60

## Related products:



### Separable Male Fitting 1/4G

Product reference:  
9M14-2



### Separable Male Fitting 1/4G - with Filter

Product reference:  
9M14-2-F



### Separable Male Fitting 1/4G - with Spray Nozzle

Product reference:  
9M14-2-GIC



### Separable Female Fitting 1/8G

Product reference:  
9M18-2



### Separable Female Fitting 1/8G - with Filter

Product reference:  
9M18-2-F



### Separable Female Fitting 1/8G - with Spray Nozzle

Product reference:  
9M18-2-GIC



### Separable Female Fitting 1/8G - with 5 Outputs

Product reference:  
9M18-3



### Separable Male Fitting 3/8G

Product reference:  
9M38-2



### Separable Male Fitting 3/8G - with Filter

Product reference:  
9M38-2-F



### Separable Male Fitting 3/8G - with Spray Nozzle

Product reference:  
9M38-2-GIC



### Separable Male Fitting 1/4G - with Filter

Product reference:  
9MM14-4-F



### Separable Female Fitting 1/4G - with Filter

Product reference:  
9MF14-4-F