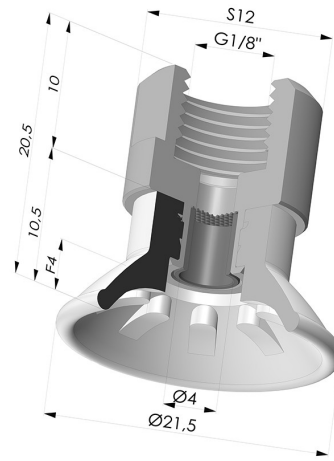


**TECHNICAL INFORMATION**

<b>Range :</b>	Suction cup
<b>Category :</b>	Plates
<b>Matter :</b>	Polyurethane
<b>Series :</b>	99
<b>Height (in mm) :</b>	20.5
<b>Shape :</b>	Plate
<b>Contact lip diameter :</b>	21.5
<b>inner barrel diameter :</b>	G1/8
<b>Number of bellows :</b>	0.5 Bellows
<b>Horizontal force :</b>	14 N
<b>Vertical force :</b>	7 N
<b>Arrow :</b>	4 mm



**Variants:**



Variant reference:

**99A 20PU F18D-4-F**

- Color: Red
- Matter: Polyurethane
- Shore Hardness: SH40



Variant reference:

**99B 20PU F18D-4-F**

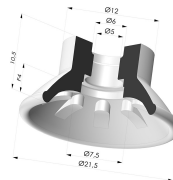
- Color: Green
- Matter: Polyurethane
- Shore Hardness: SH60

**Related products:**



**Separable Female Fitting 1/8G - with Filter**

Product reference: 9PF18-4-F



**Flat suction cup series 99, Ø 21.5 mm**

Product reference: 99- 20PU A