

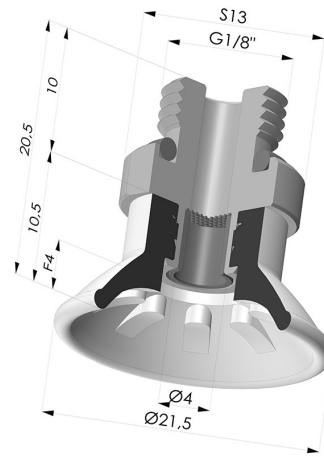
Code : **99- 20PU M18D-**

4-F

Flat suction cup series 99, Ø 21.5 mm with fitting male G1/8" and filter

TECHNICAL INFORMATION

- Range :** Suction cup
- Category :** Plates
- Matter :** Polyurethane
- Series :** 99
- Height (in mm) :** 20.5
- Shape :** Plate
- Contact lip diameter :** 21.5
- inner barrel diameter :** G1/8
- Number of bellows :** 0.5 Bellows
- Horizontal force :** 14 N
- Vertical force :** 7 N
- Arrow :** 4mm



Variants:



Variant reference:
99A 20PU M18D-4-F

- Color: Red
- Matter: Polyurethane
- Shore Hardness: SH40



Variant reference:
99B 20PU M18D-4-F

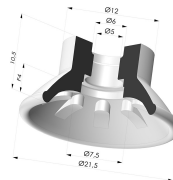
- Color: Green
- Matter: Polyurethane
- Shore Hardness: SH60

Related products:



Separable Male Fitting 1/8G - with Filter

Product reference: 9PM18-4-F



Flat suction cup series 99, Ø 21.5 mm

Product reference: 99- 20PU A