

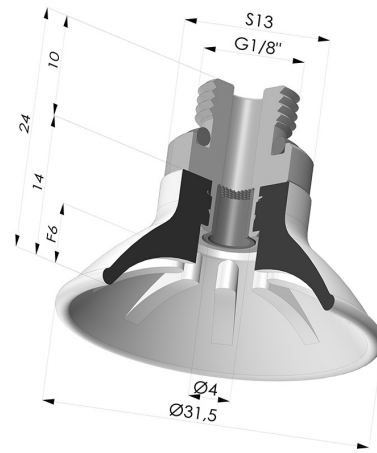
Code : **99- 30PU M18D-**

**4-F**

Flat suction cup series 99, Ø 31.5 mm with fitting male G1/8" and filter

**TECHNICAL INFORMATION**

- Range :** Suction cup
- Category :** Plates
- Matter :** Polyurethane
- Series :** 99
- Height (in mm) :** 24
- Shape :** Plate
- Contact lip diameter :** 31.5
- inner barrel diameter :** G1/8
- Number of bellows :** 0.5 Bellows
- Horizontal force :** 32 N
- Vertical force :** 16 N
- Arrow :** 6 mm



**Variants:**



Variant reference:  
**99A 30PU M18D-4-F**

- Color: Red
- Matter: Polyurethane
- Shore Hardness: SH40



Variant reference:  
**99B 30PU M18D-4-F**

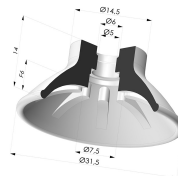
- Color: Green
- Matter: Polyurethane
- Shore Hardness: SH60

**Related products:**



**Separable Male Fitting 1/8G - with Filter**

Product reference: 9PM18-4-F



**Flat suction cup series 99, Ø 31.5 mm**

Product reference: 99- 30PU A