

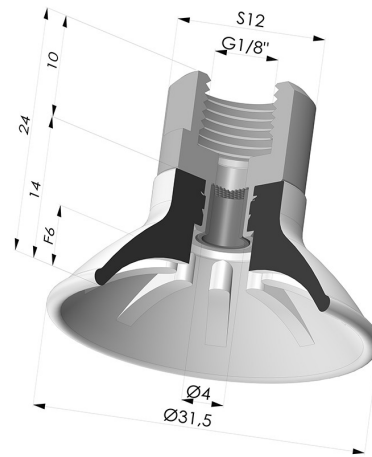
Code : **99- 30PU F18D-**

4-F

Flat suction cup series 99, Ø 31.5 mm with fitting female G1/8" and filter

TECHNICAL INFORMATION

- Range :** Suction cup
- Category :** Plates
- Matter :** Polyurethane
- Series :** 99
- Height (in mm) :** 24
- Shape :** Plate
- Contact lip diameter :** 31.5
- inner barrel diameter :** G1/8
- Number of bellows :** 0.5 Bellows
- Horizontal force :** 32 N
- Vertical force :** 16 N
- Arrow :** 6 mm



Variants:



Variant reference:
99A 30PU F18D-4-F

- Color: Red
- Matter: Polyurethane
- Shore Hardness: SH40



Variant reference:
99B 30PU F18D-4-F

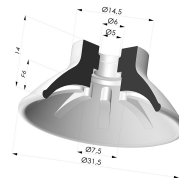
- Color: Green
- Matter: Polyurethane
- Shore Hardness: SH60

Related products:



Separable Female Fitting 1/8G - with Filter

Product reference: 9PF18-4-F



Flat suction cup series 99, Ø 31.5 mm

Product reference: 99- 30PU A