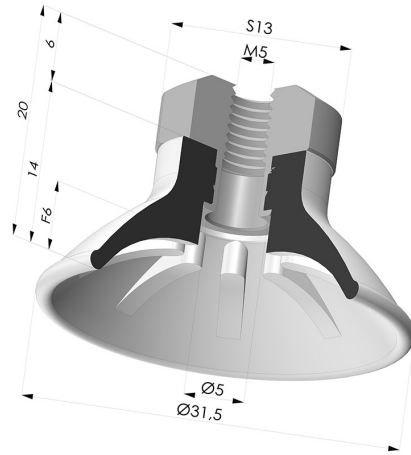


**TECHNICAL INFORMATION**

<b>Range :</b>	Suction cup
<b>Category :</b>	Plates
<b>Matter :</b>	Polyurethane
<b>Series :</b>	99
<b>Height (in mm) :</b>	20
<b>Shape :</b>	Plate
<b>Contact lip diameter :</b>	31.5
<b>inner barrel diameter :</b>	M5
<b>Number of bellows :</b>	0.5 Bellows
<b>Horizontal force :</b>	32 N
<b>Vertical force :</b>	16 N
<b>Arrow :</b>	6 mm



**Variants:**



Variant reference:

**99A 30PU FM5**

- Color: Red
- Matter: Polyurethane
- Shore Hardness: SH40



Variant reference:

**99B 30PU FM5**

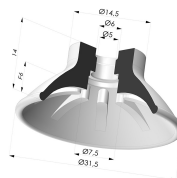
- Color: Green
- Matter: Polyurethane
- Shore Hardness: SH60

**Related products:**



**Separable Female Fitting M5**

Product reference: 9PM5-2



**Flat suction cup series 99, Ø 31.5 mm**

Product reference: 99- 30PU A