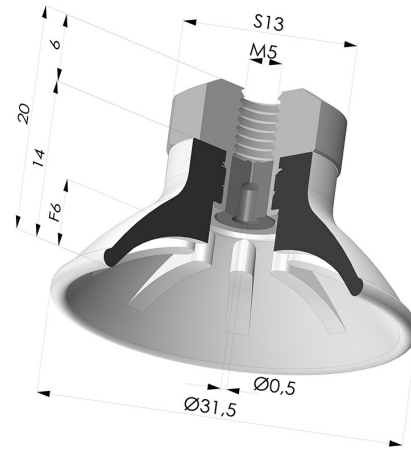


TECHNICAL INFORMATION

Range :	Suction cup
Category :	Plates
Series :	99
Height (in mm) :	20
Shape :	Plate
Contact lip diameter :	31.5
inner barrel diameter :	M5
Number of bellows :	0.5 Bellows
Horizontal force :	32 N
Vertical force :	16 N
Arrow :	6 mm



Variants:



Variant reference:
99A 30PU FM5GIC

- Color: Red
- Matter: Polyurethane
- Shore Hardness: SH40



Variant reference:
99B 30PU FM5GIC

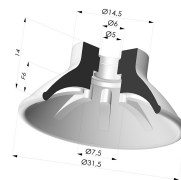
- Color: Green
- Matter: Polyurethane
- Shore Hardness: SH60

Related products:



Separable Female Fitting M5 - with Spray Nozzle

Product reference: 9PM5-2-GIC



Flat suction cup series 99, Ø 31.5 mm

Product reference: 99- 30PU A