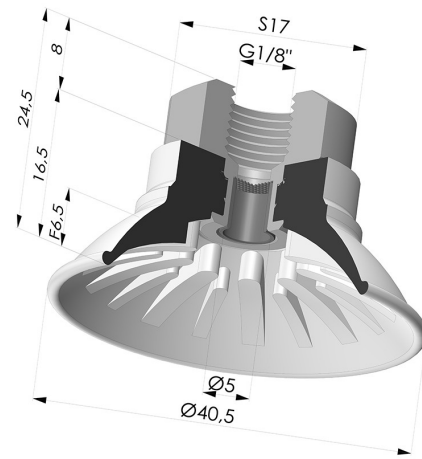


TECHNICAL INFORMATION

Range :	Suction cup
Category :	Plates
Series :	99
Height (in mm) :	24.5
Shape :	Plate
Contact lip diameter :	40.5
inner barrel diameter :	G1/8
Number of bellows :	0.5 Bellows
Horizontal force :	54 N
Vertical force :	27 N
Arrow :	6.5 mm



Variants:



Variant reference:
99A 40PU 18D-2-F

- Color: Red
- Matter: Polyurethane
- Shore Hardness: SH40



Variant reference:
99B 40PU 18D-2-F

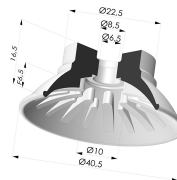
- Color: Green
- Matter: Polyurethane
- Shore Hardness: SH60

Related products:



Separable Female Fitting 1/8G - with Filter

Product reference: 9M18-2-F



Flat suction cup series 99, Ø 40.5 mm

Product reference: 99- 40PU A