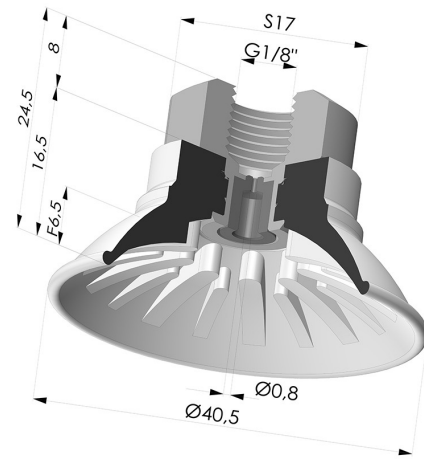


**TECHNICAL INFORMATION**

<b>Range :</b>	Suction cup
<b>Category :</b>	Plates
<b>Series :</b>	99
<b>Height (in mm) :</b>	24.5
<b>Shape :</b>	Plate
<b>Contact lip diameter :</b>	40.5
<b>inner barrel diameter :</b>	G1/8
<b>Number of bellows :</b>	0.5 Bellows
<b>Horizontal force :</b>	54 N
<b>Vertical force :</b>	27 N
<b>Arrow :</b>	6.5 mm



**Variants:**



Variant reference:  
**99A 40PU 18D-2-GIC**

- Color: Red
- Matter: Polyurethane
- Shore Hardness: SH40



Variant reference:  
**99B 40PU 18D-2-GIC**

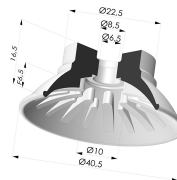
- Color: Green
- Matter: Polyurethane
- Shore Hardness: SH60

**Related products:**



**Separable Female Fitting 1/8G - with Spray Nozzle**

Product reference: 9M18-2-GIC



**Flat suction cup series 99, Ø 40.5 mm**

Product reference: 99- 40PU A