

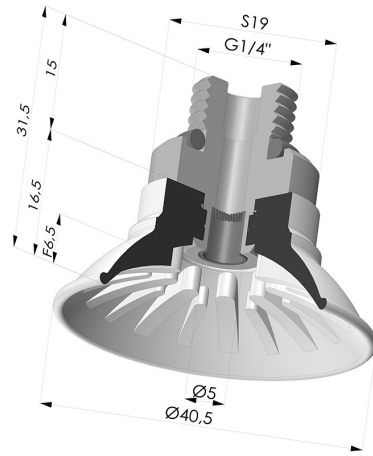
Code : **99- 40PU M14D-**

4-F

Flat suction cup series 99, Ø 40.5 mm with fitting male G1/4" and filter

TECHNICAL INFORMATION

- Range :** Suction cup
Category : Plates
Series : 99
Height (in mm) : 31.5
Shape : Plate
Contact lip diameter : 40.5 mm
inner barrel diameter : Male G1/4"
Number of bellows : 0.5 Bellows
Horizontal force : 54 N
Vertical force : 27 N
Arrow : 6.5 mm



Variants:



Variant reference:
99A 40PU M14D-4-F

- Color: Red
- Matter: Polyurethane
- Shore Hardness: SH40



Variant reference:
99B 40PU M14D-4-F

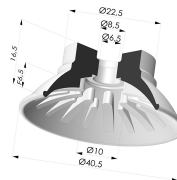
- Color: Green
- Matter: Polyurethane
- Shore Hardness: SH60

Related products:



Separable Male Fitting 1/4G - with Filter

Product reference: 9MM14-4-F



Flat suction cup series 99, Ø 40.5 mm

Product reference: 99- 40PU A