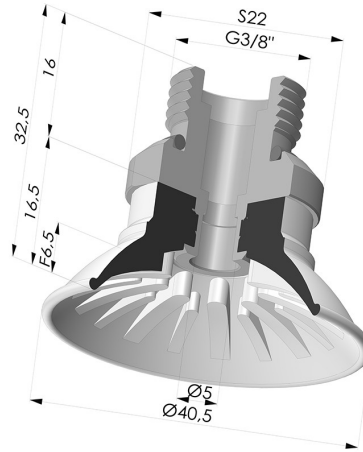


TECHNICAL INFORMATION

| | |
|--------------------------------|-------------|
| Range : | Suction cup |
| Category : | Plates |
| Series : | 99 |
| Height (in mm) : | 32.5 |
| Shape : | Plate |
| Contact lip diameter : | 40.5 |
| inner barrel diameter : | G3/8 |
| Number of bellows : | 0.5 Bellows |
| Horizontal force : | 54 N |
| Vertical force : | 27 N |
| Arrow : | 6.5 mm |



Variants:



Variant reference:
99A 40PU 38D-2

- Color: Red
- Matter: Polyurethane
- Shore Hardness: SH40



Variant reference:
99B 40PU 38D-2

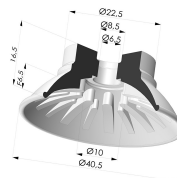
- Color: Green
- Matter: Polyurethane
- Shore Hardness: SH60

Related products:



Separable Male Fitting 3/8G

Product reference: 9M38-2



Flat suction cup series 99, Ø 40.5 mm

Product reference: 99- 40PU A