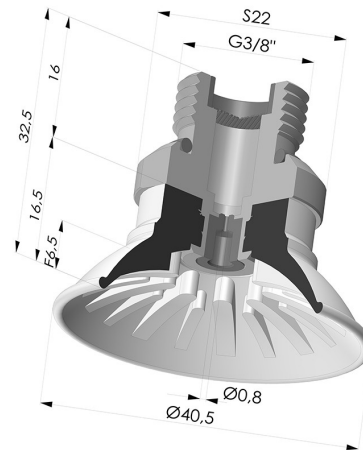


**TECHNICAL INFORMATION**

|                                |              |
|--------------------------------|--------------|
| <b>Range :</b>                 | Suction cup  |
| <b>Category :</b>              | Plates       |
| <b>Matter :</b>                | Polyurethane |
| <b>Series :</b>                | 99           |
| <b>Height (in mm) :</b>        | 32.5         |
| <b>Shape :</b>                 | Plate        |
| <b>Contact lip diameter :</b>  | 40.5 mm      |
| <b>Top diameter :</b>          | Male G3/8"   |
| <b>inner barrel diameter :</b> | Male G3/8"   |
| <b>Number of bellows :</b>     | 0.5 Bellows  |
| <b>Horizontal force :</b>      | 54 N         |
| <b>Vertical force :</b>        | 27 N         |
| <b>Arrow :</b>                 | 6.5 mm       |



**Variants:**



- Color: Red
- Matter: Polyurethane
- Shore Hardness: SH40



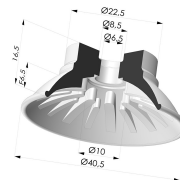
- Color: Green
- Matter: Polyurethane
- Shore Hardness: SH60

**Related products:**



**Separable Male Fitting 3/8G - with Spray Nozzle**

Product reference: 9M38-2-GIC



**Flat suction cup series 99, Ø 40.5 mm**

Product reference: 99- 40PU A