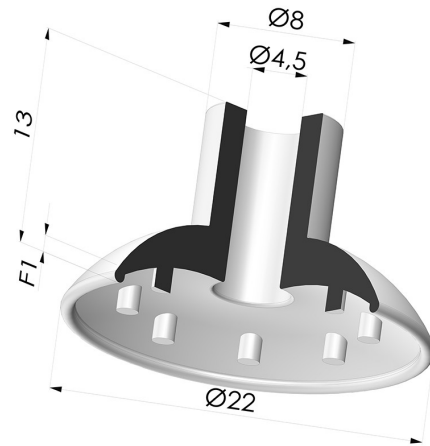


TECHNICAL INFORMATION

Range :	Suction cup
Category :	Plates
Series :	7
Height (in mm) :	13
Shape :	Plate
Contact lip diameter :	21.7 mm
Top diameter :	8 mm
inner barrel diameter :	4.5 mm
Number of bellows :	0.5 Bellows
Horizontal force :	15.5 N
Vertical force :	7.5 N
Arrow :	1 mm



Variants:



Variant reference:

72 23SLB A

- Color: White
- FDA and CE food-grade certified
- Matter: Silicone
- Shore Hardness: SH40

Related products:



Separable Male Fitting M5

Product reference: 9MM5