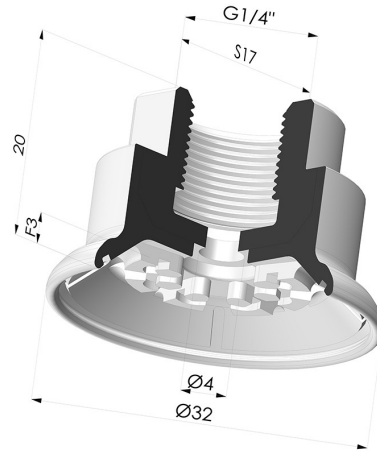
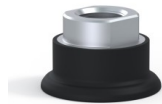


TECHNICAL INFORMATION

- Range :** Suction cup
Category : Plates
Series : 7R
Height (in mm) : 20
Shape : Plate
Contact lip diameter : 32 mm
Top diameter : Female G1/4"
inner barrel diameter : Female G1/4"
Number of bellows : 0.5 Bellows
Horizontal force : 35 N
Vertical force : 17.5 N
Arrow : 3 mm



Variants:



Variant reference:

7R 32NI F14

- Color: Black
- Matter: Nitrile
- Shore Hardness: SH70

Material guide:

	Material	Code	Temperature resistance (°C)	Flexibility	Abrasion resistance	UV/Weather resistance	Oil resistance	Food compatibility	Migration test
	Nitrile Black (Shore SH70)	NI	-10/+80	✓	✓	✗	✓✓	✗	✗

Requests for FDA and/or EC certificates must be made AT THE TIME OF ORDER. Any later request will incur additional charges. To meet the expectations of our industrial customers, NOVACOM offers the widest range of elastomer and thermoplastic materials. We can also develop new materials based on precise specifications, in order to solve specific applications for our customers.

Excellent | Good | Low | Poor | Not recommended
 *FDA and/or EC certificate may be requested for various references at the time of order; please contact us.
 ** Food contact certification: (EC) 1935/2004 - (FDA) 21 CFR 177.2600
 *** Food contact certification: (EC) 10/2011 - (FDA) 21 CFR

Related products:



Male connection G1/4" - M14M14

Product reference: M14M14



Male connection G1/4"-G3/8" - M14M38

Product reference: M14M38