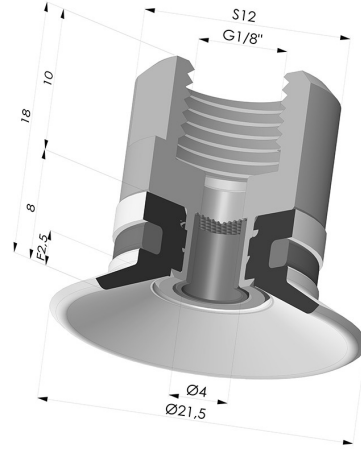


**TECHNICAL INFORMATION**

- Range :** Suction cup  
**Category :** Plates  
**Series :** 9  
**Height (in mm) :** 18  
**Shape :** Plate  
**Contact lip diameter :** 21.5 mm  
**inner barrel diameter :** Female G1/8"  
**Number of bellows :** 0.5 Bellows  
**Horizontal force :** 14 N  
**Vertical force :** 7 N  
**Arrow :** 2.5 mm



**Variants:**



Variant reference:  
**9 20SL F18D-4-F**

- Color: Red food-grade CE certification
  - Matter: Silicone
  - Shore Hardness: SH60



Variant reference:  
**9 20SLT F18D-4-F**

- Color: Translucent
  - CE food certified
  - Matter: Silicone
- Shore Hardness: SH60



Variant reference:  
**9 20NI F18D-4-F**

- Color: Black
  - Matter: Nitrile
- Shore Hardness: SH50

**Related products:**

**Flat Suction Cup Series 9, Ø 21.5 mm**  
 Product reference: 9 20-- A

**Separable Female Fitting 1/8G - with Filter**  
 Product reference: 9PF18-4-F