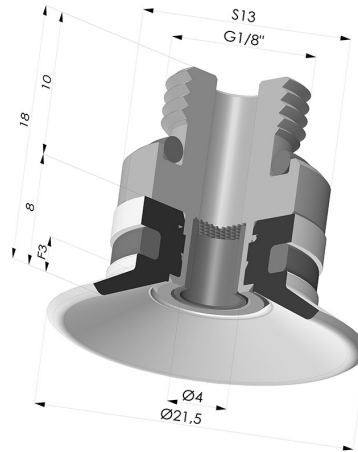


TECHNICAL INFORMATION

- Range :** Suction cup
Category : Plates
Series : 9
Height (in mm) : 18
Shape : Plate
Contact lip diameter : 21.5 mm
inner barrel diameter : Male G1/8"
Number of bellows : 0.5 Bellows
Horizontal force : 14 N
Vertical force : 7 N
Arrow : 3 mm



Variants:



Variant reference:
9 20SL M18D-4-F

- Color: Red food-grade CE certification
 - Matter: Silicone
 - Shore Hardness: SH60



Variant reference:
9 20SLT M18D-4-F

- Color: Translucent
 - CE food certified
 - Matter: Silicone
- Shore Hardness: SH60



Variant reference:
9 20NI M18D-4-F

- Color: Black
 - Matter: Nitrile
- Shore Hardness: SH50

Related products:

Flat Suction Cup Series 9, Ø 21.5 mm
 Product reference: 9 20-- A

Separable Male Fitting 1/8G - with Filter
 Product reference: 9PM18-4-F