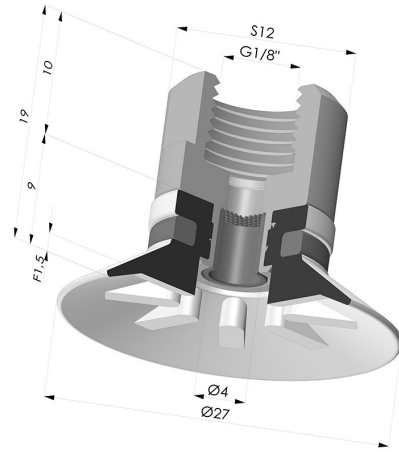


**TECHNICAL INFORMATION**

- Range :** Suction cup  
**Category :** Plates  
**Series :** 90  
**Height (in mm) :** 19  
**Shape :** Plate  
**Contact lip diameter :** 27  
**inner barrel diameter :** G1/8  
**Number of bellows :** 0.5 Bellows  
**Horizontal force :** 24 N  
**Vertical force :** 12 N  
**Arrow :** 1.5 mm



**Variants:**



Variant reference:  
**90 25SL F18D-4-F**

- Color: Red food-grade CE certification
- Matter: Silicone
- Shore Hardness: SH60



Variant reference:  
**90 25SLT F18D-4-F**

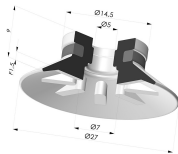
- Color: Translucent
- CE food certified
- Matter: Silicone
- Shore Hardness: SH60



Variant reference:  
**90 25NI F18D-4-F**

- Color: Black
- Matter: Nitrile
- Shore Hardness: SH50

**Related products:**



**Flat Suction Cup Series 90, Ø 25 mm**

Product reference: 90 25-- A



**Separable Female Fitting 1/8G - with Filter**

Product reference: 9PF18-4-F