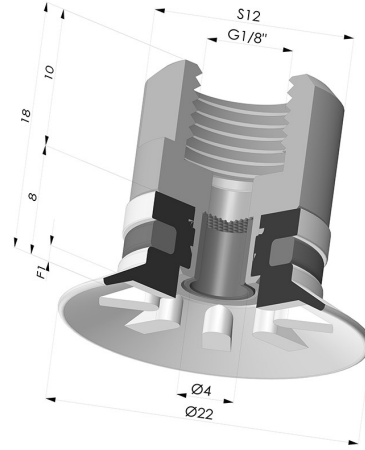


TECHNICAL INFORMATION

Range :	Suction cup
Category :	Plates
Series :	90
Height (in mm) :	18
Shape :	Plate
Contact lip diameter :	22
inner barrel diameter :	G1/8
Number of bellows :	0.5 Bellows
Horizontal force :	16 N
Vertical force :	8 N
Arrow :	1 mm

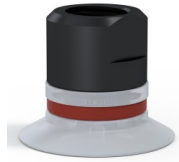


Variants:



Variant reference:
90 20SL F18D-4-F

- Color: Red food-grade CE certification
- Matter: Silicone
- Shore Hardness: SH60



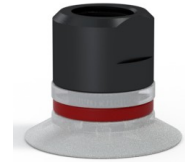
Variant reference:
90 20SLT F18D-4-F

- Color: Translucent
- CE food certified
- Matter: Silicone
- Shore Hardness: SH60



Variant reference:
90 20NI F18D-4-F

- Color: Black
- Matter: Nitrile
- Shore Hardness: SH50



Variant reference:
90 20TPU F18D-4-F

- Color: Translucent
- Matter: Thermoplastic
- Shore Hardness: SH70

Related products:

Flat Suction Cup Series 90, Ø 20 mm
 Product reference: 90 20-- A

Separable Female Fitting 1/8G - with Filter
 Product reference: 9PF18-4-F