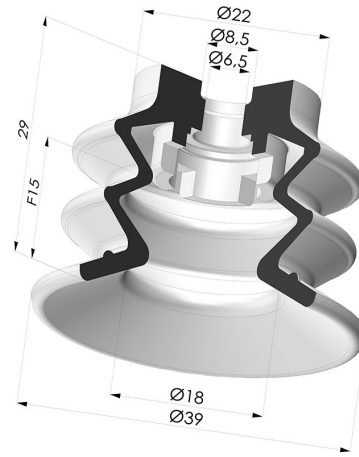


**TECHNICAL INFORMATION**

<b>Range :</b>	Suction cup
<b>Category :</b>	With bellows
<b>Series :</b>	96B
<b>Height (in mm) :</b>	29
<b>Shape :</b>	2.5 Bellows
<b>Contact lip diameter :</b>	40 mm
<b>inner barrel diameter :</b>	6.5mm
<b>Number of bellows :</b>	2.5 Bellows
<b>Horizontal force :</b>	39 N
<b>Vertical force :</b>	24.5 N
<b>Arrow :</b>	15 mm



**Variants:**



Variant reference:

**96B 40PU A**

- Color: Green
- Matter: Polyurethane
- Shore Hardness: SH60

## Related products:



### Separable Male Fitting 1/4G

Product reference: 9M14-2



### Separable Male Fitting 1/4G - with Spray Nozzle

Product reference: 9M14-2-GIC



### Separable Female Fitting 1/8G

Product reference: 9M18-2



### Separable Female Fitting 1/8G - with Filter

Product reference: 9M18-2-F



### Separable Female Fitting 1/8G - with Spray Nozzle

Product reference: 9M18-2-GIC



### Separable Female Fitting 1/8G - with 5 Outputs

Product reference: 9M18-3



### Separable Male Fitting 3/8G

Product reference: 9M38-2



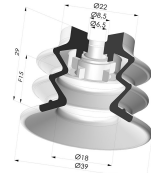
### Separable Male Fitting 3/8G - with Filter

Product reference: 9M38-2-F



### Separable Male Fitting 3/8G - with Spray Nozzle

Product reference: 9M38-2-GIC



### Bellows Suction Cup 2.5 folds Series 96C, Ø 40 mm

Product reference: 96C 40-- A



### Flexible White Filter Series FIBS Ø 29 mm

Product reference: FIBS 96 40



### Separable Male Fitting 1/4G - with Filter

Product reference: 9MM14-4-F



### Separable Female Fitting 1/4G - with Filter

Product reference: 9MF14-4-F