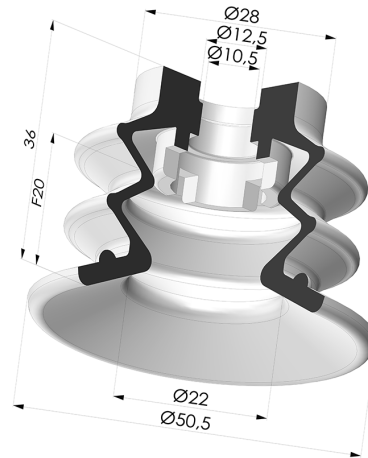


**TECHNICAL INFORMATION**

<b>Range :</b>	Suction cup
<b>Category :</b>	With bellows
<b>Series :</b>	96B
<b>Height (in mm) :</b>	36
<b>Shape :</b>	2.5 Bellows
<b>Contact lip diameter :</b>	50 mm
<b>inner barrel diameter :</b>	10.5mm
<b>Number of bellows :</b>	2.5 Bellows
<b>Horizontal force :</b>	78.5 N
<b>Vertical force :</b>	39 N
<b>Arrow :</b>	20 mm



**Variants:**



Variant reference:

**96B 50PU A**

- Color: Green
- Matter: Polyurethane
- Shore Hardness: SH60

## Related products:



### Separable Male Fitting 1/4G

Product reference:  
9G14-2



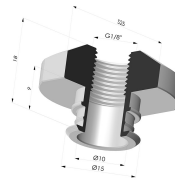
### Separable Male Fitting 1/4G - with Filter

Product reference:  
9G14-2-F



### Separable Male Fitting 1/4G - with Spray Nozzle

Product reference:  
9G14-2-GIC



### Separable Female Fitting 1/8G

Product reference:  
9G18-2



### Separable Female Fitting 1/8G - with Filter

Product reference:  
9G18-2-F



### Separable Female Fitting 1/8G - with Spray Nozzle

Product reference:  
9G18-2-GIC



### Separable Female Fitting 1/8G - with 5 Outputs

Product reference:  
9G18-3



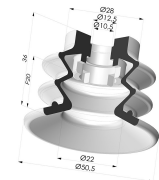
### Separable Male Fitting 3/8G

Product reference:  
9G38-2



### Separable Male Fitting 3/8G - with Spray Nozzle

Product reference:  
9G38-2-GIC



### Bellows Suction Cup 2.5 folds Series 96C, Ø 50 mm

Product reference: 96C  
50-- A



### Separable Male Fitting 3/8G - with Filter

Product reference:  
9GM38-4-F



### Separable Female Fitting 3/8G - with Filter

Product reference:  
9GF38-4-F