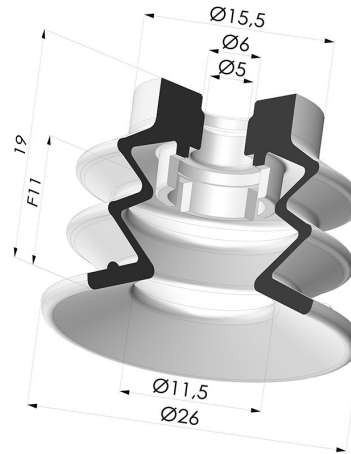


**TECHNICAL INFORMATION**

|                                |              |
|--------------------------------|--------------|
| <b>Range :</b>                 | Suction cup  |
| <b>Category :</b>              | With bellows |
| <b>Series :</b>                | 96C          |
| <b>Height (in mm) :</b>        | 19           |
| <b>Shape :</b>                 | 2.5 Bellows  |
| <b>Contact lip diameter :</b>  | 25 mm        |
| <b>inner barrel diameter :</b> | 5mm          |
| <b>Number of bellows :</b>     | 2.5 Bellows  |
| <b>Horizontal force :</b>      | 22 N         |
| <b>Vertical force :</b>        | 11 N         |
| <b>Arrow :</b>                 | 11 mm        |



**Variants:**



Variant reference:  
**96C 25PU A**

- Color: Green / Yellow
- Matter: Polyurethane
- Shore Hardness: SH60 / SH30

**Related products:**



**Separable Female Fitting M5**

Product reference:  
 9PM5-2



**Separable Female Fitting M5 - with Filter**

Product reference:  
 9PM5-2-F



**Separable Female Fitting M5 - with Spray Nozzle**

Product reference:  
 9PM5-2-GIC



**Separable Male Fitting 1/8G - with Filter**

Product reference:  
 9PM18-4-F



**Separable Female Fitting 1/8G - with Filter**

Product reference:  
 9PF18-4-F