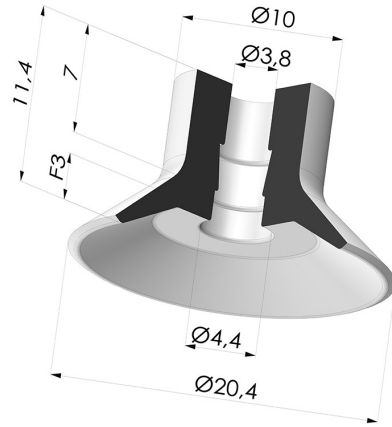


TECHNICAL INFORMATION

- Range :** Suction cup
- Category :** Plates
- Series :** VPC
- Height (in mm) :** 11.4
- Shape :** Plate
- Contact lip diameter :** 20.4 mm
- inner barrel diameter :** 3.8 mm
- Number of bellows :** 0.5 Bellows
- Horizontal force :** 13.16 N
- Vertical force :** 6.58 N
- Volume :** 0.41 cm³
- Mass :** 1.20 g
- Arrow :** 3 mm



Variants:



- Variant reference:
VPC 20NI A
- Color: Black
 - Matter: Nitrile
 - Shore Hardness: SH50



- Variant reference:
VPC 20SLT A
- Color: Translucent
 - CE food certified
 - Matter: Silicone
 - Shore Hardness: SH60



- Variant reference:
VPC 20MNT A
- Color: Bordeaux
 - Matter: Non-staining material for plastics processing
 - Shore Hardness: SH60

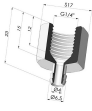
Material guide:

	Material	Code	Temperature resistance (°C)	Flexibility	Abrasion resistance	UV/Weather resistance	Oil resistance	Food compatibility	Migration test
	Nitrile Black (Shore SH50)	NI	-10/+80	✓	✓	✗	✓✓	✗	✗
	Silicone Translucent (Shore SH60)	SL T	-60/+250	✓✓✓	✓	✓✓✓	✓	FDA **	✗

Requests for FDA and/or EC certificates must be made AT THE TIME OF ORDER. Any later request will incur additional charges. To meet the expectations of our industrial customers, NOVACOM offers the widest range of elastomer and thermoplastic materials. We can also develop new materials based on precise specifications, in order to solve specific applications for our customers.

Excellent | Good | Low | Poor | Not recommended
 *FDA and/or EC certificate may be requested for various references at the time of order; please contact us.
 ** Food contact certification: (EC) 1935/2004 - (FDA) 21 CFR 177.2600
 *** Food contact certification: (EC) 10/2011 - (FDA) 21 CFR

Related products:



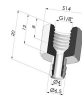
Separable Female Fitting G1/4"

Product reference: B



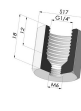
Separable Male Fitting G1/4"

Product reference: C



Separable Female Fitting G1/8"

Product reference: F



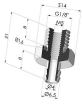
Adaptor - Female G1/4" - Female M6

Product reference: F14F6



Adaptor - Female 1/8G - Female M6

Product reference: F18F6



Separable Male Fitting G1/8"

Product reference: G



Adaptor - Male 1/4G - Female M6

Product reference: M14F6



Adaptor - Male 1/8G - Female M6

Product reference: M18F6



Separable Male Fitting M6

Product reference: M6C



Separable Male Fitting M5

Product reference: M5C
--