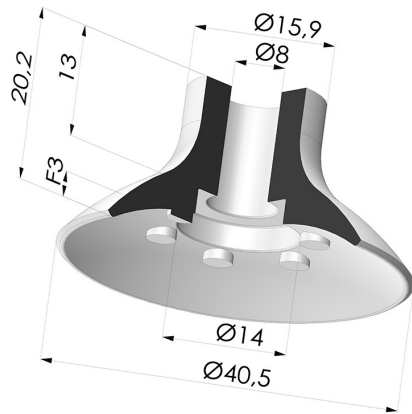


TECHNICAL INFORMATION

Range : Suction cup
Category : Plates
Series : VPC
Height (in mm) : 20.2
Shape : Plate
Contact lip diameter : 40.5 mm
inner barrel diameter : 8 mm
Number of bellows : 0.5 Bellows
Horizontal force : 54.01 N
Vertical force : 27.01 N
Volume : 2.97 cm³
Mass : 14 g
Arrow : 3 mm



Variants:



- Variant reference:
VPC 40SLT A
- Color: Translucent
 - CE food certified
 - Matter: Silicone
 - Shore Hardness: SH60



- Variant reference:
VPC 40MNT A
- Color: Bordeaux
 - Matter: Non-staining material for plastics processing
 - Shore Hardness: SH60



- Variant reference:
VPC 40NI A
- Color: Black
 - Matter: Nitrile
 - Shore Hardness: SH50

Related products:



Separable Female Fitting G1/4"

Product reference: D



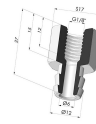
Separable Male Fitting G1/4"

Product reference: E



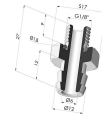
Adaptor - Female 1/8G - Female M6

Product reference: F18F6



Separable Female Fitting G1/8"

Product reference: H



Separable Male Fitting G1/8"

Product reference: I



Crimped Female Fitting G1/4"

Product reference: L



Crimped Male Fitting G1/4"

Product reference: M



Adaptor - Male 1/4G - Female M6

Product reference: M14F6



Adaptor - Male 1/8G - Female M6

Product reference: M18F6



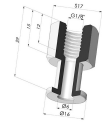
Screw M5 - Head Ø 14 mm - L 20.5 mm

Product reference: M5



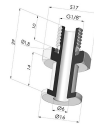
Screw M6 - Head Ø 14 mm - L 20.5 mm

Product reference: M6



Crimped Female Fitting G1/8"

Product reference: R



Crimped Male Fitting G1/8"

Product reference: S



Screw M8 - Head Ø 14 mm - L 20 mm

Product reference: M8T14L20.5