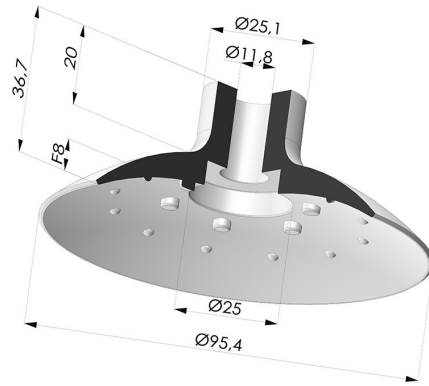


TECHNICAL INFORMATION

Range : Suction cup
Category : Plates
Series : VPC
Height (in mm) : 36.7
Shape : Plate
Contact lip diameter : 95.4 mm
inner barrel diameter : 11.8 mm
Number of bellows : 0.5 Bellows
Horizontal force : 311.37 N
Vertical force : 155.69 N
Volume : 40.13 cm³
Mass : 50 g
Arrow : 8 mm



Variants:



- Variant reference:
VPC 95SLT A
- Color: Translucent
 - CE food certified
 - Matter: Silicone
 - Shore Hardness: SH60



- Variant reference:
VPC 95MNT A
- Color: Bordeaux
 - Matter: Non-staining material for plastics processing
 - Shore Hardness: SH60



- Variant reference:
VPC 95NI A
- Color: Black
 - Matter: Nitrile
 - Shore Hardness: SH50

Related products:



**Adaptor - Female
 G1/4" - Female
 G1/8"**

Product reference: 301
 048



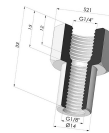
**Adaptor - Male 1/4G
 - Female 1/8G**

Product reference: 209
 048



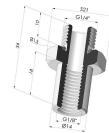
**Screw 1/8G - Head Ø
 22 mm - L 29.5 mm**

Product reference: M18



**Crimped Female
 Fitting G1/4"**

Product reference: N



**Crimped Male
 Fitting G1/4"**

Product reference: O