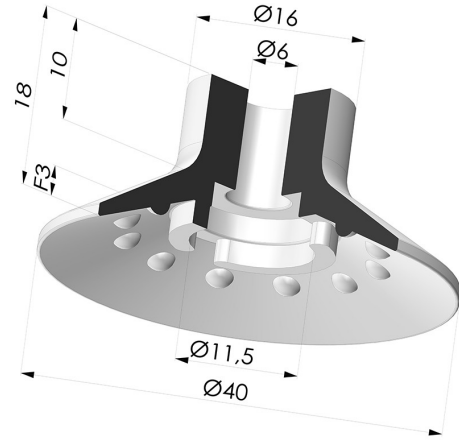


TECHNICAL INFORMATION

Range :	Suction cup
Category :	Plates
Series :	7SB
Height (in mm) :	17.7
Shape :	Plate
Contact lip diameter :	40 mm
inner barrel diameter :	6.1 mm
Number of bellows :	0.5 Bellows
Horizontal force :	55 N
Vertical force :	27.5 N
Arrow :	3 mm



Variants:



- Variant reference:
7SB 40SLT A
- Color: Translucent
 - CE food certified
 - Matter: Silicone
 - Shore Hardness: SH60



- Variant reference:
7SB 40TPUB A
- Color: Blue
 - Matter: Thermoplastic
 - Shore Hardness: SH70



- Variant reference:
7SB 40NI A
- Color: Black
 - Matter: Nitrile
 - Shore Hardness: SH50

Related products:



**Adaptor - Female
 1/4G - Female M6**

Product reference: ADA
 G1/4F M6F



**Adaptor - Male 1/4G
 - Female M6**

Product reference: ADA
 G1/4M M6F



**Adaptor - Female
 1/8G - Female M6**

Product reference: ADA
 G1/8F M6F



**Adaptor - Male 1/8G
 - Female M6**

Product reference: ADA
 G1/8M M6F



**Screw M6 - Head Ø
 11 mm - L 17 mm**

Product reference: SCR
 20B M6M