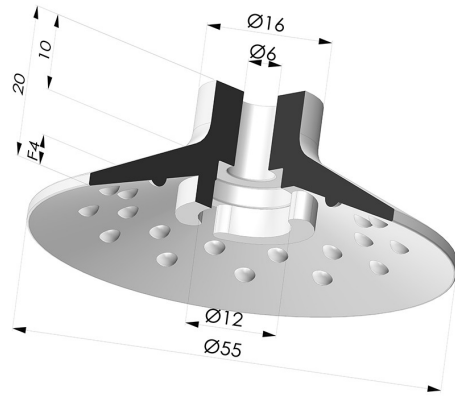


**TECHNICAL INFORMATION**

<b>Range :</b>	Suction cup
<b>Category :</b>	Plates
<b>Series :</b>	7SB
<b>Height (in mm) :</b>	20
<b>Shape :</b>	Plate
<b>Contact lip diameter :</b>	54.8 mm
<b>inner barrel diameter :</b>	6.1 mm
<b>Number of bellows :</b>	0.5 Bellows
<b>Horizontal force :</b>	104.5 N
<b>Vertical force :</b>	52 N
<b>Arrow :</b>	4 mm



**Variants:**



- Variant reference:  
**7SB 55SLT A**
- Color: Translucent
  - CE food certified
  - Matter: Silicone
  - Shore Hardness: SH60



- Variant reference:  
**7SB 55TPUB A**
- Color: Blue
  - Matter: Thermoplastic
  - Shore Hardness: SH70



- Variant reference:  
**7SB 55NI A**
- Color: Black
  - Matter: Nitrile
  - Shore Hardness: SH50

**Related products:**



**Adaptor - Female  
 1/4G - Female M6**

Product reference: ADA  
 G1/4F M6F



**Adaptor - Male 1/4G  
 - Female M6**

Product reference: ADA  
 G1/4M M6F



**Adaptor - Female  
 1/8G - Female M6**

Product reference: ADA  
 G1/8F M6F



**Adaptor - Male 1/8G  
 - Female M6**

Product reference: ADA  
 G1/8M M6F



**Screw M6 - Head Ø  
 11 mm - L 17 mm**

Product reference: SCR  
 20B M6M