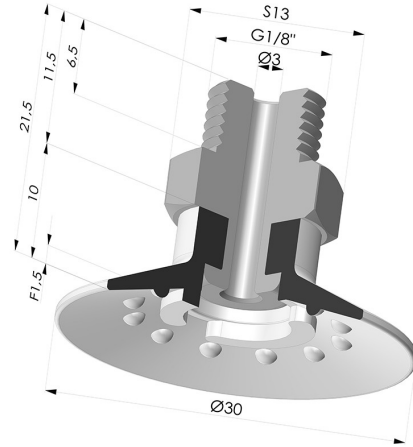


TECHNICAL INFORMATION

Range :	Suction cup
Category :	Plates
Series :	7SB
Height (in mm) :	21.5
Shape :	Plate
Contact lip diameter :	30 mm
inner barrel diameter :	G1/8"
Number of bellows :	0.5 Bellows
Horizontal force :	30 N
Vertical force :	15 N
Arrow :	1.5 mm



Variants:



- Variant reference:
7SB 30SLT M18
- Color: Translucent
 - CE food certified
 - Matter: Silicone
 - Shore Hardness: SH60



- Variant reference:
7SB 30TPUB M18
- Color: Blue
 - Matter: Thermoplastic
 - Shore Hardness: SH70



- Variant reference:
7SB 30NI M18
- Color: Black
 - Matter: Nitrile
 - Shore Hardness: SH50