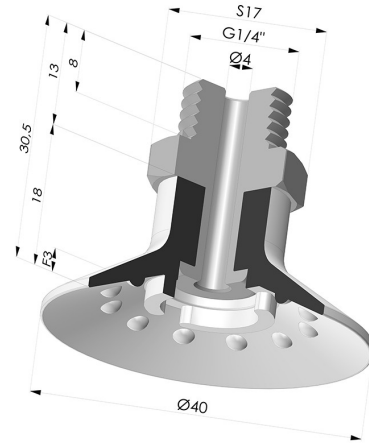


TECHNICAL INFORMATION

Range :	Suction cup
Category :	Plates
Series :	7SB
Height (in mm) :	30.5
Shape :	Plate
Contact lip diameter :	40 mm
inner barrel diameter :	Male G1/4"
Number of bellows :	0.5 Bellows
Horizontal force :	55 N
Vertical force :	27.5 N
Arrow :	3 mm



Variants:



Variant reference:
7SB 40SLT M14

- Color: Translucent
- CE food certified
- Matter: Silicone
- Shore Hardness: SH60



Variant reference:
7SB 40TPUB M14

- Color: Blue
- Matter: Thermoplastic
- Shore Hardness: SH70



Variant reference:
7SB 40NI M14

- Color: Black
- Matter: Nitrile
- Shore Hardness: SH50