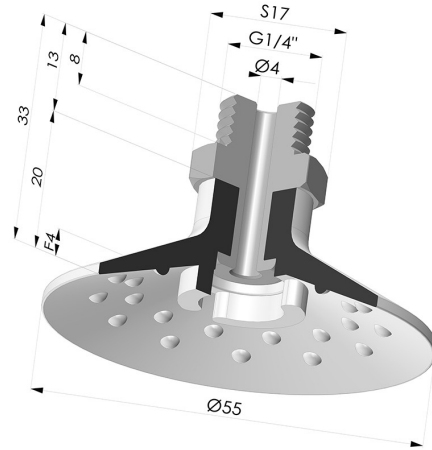


TECHNICAL INFORMATION

Range :	Suction cup
Category :	Plates
Series :	7SB
Height (in mm) :	32.8
Shape :	Plate
Contact lip diameter :	54.8 mm
inner barrel diameter :	Male G1/4"
Number of bellows :	0.5 Bellows
Horizontal force :	104.5 N
Vertical force :	52 N
Arrow :	4 mm



Variants:



- Variant reference:
7SB 55SLT M14
- Color: Translucent
 - CE food certified
 - Matter: Silicone
 - Shore Hardness: SH60



- Variant reference:
7SB 55TPUB M14
- Color: Blue
 - Matter: Thermoplastic
 - Shore Hardness: SH70



- Variant reference:
7SB 55NI M14
- Color: Black
 - Matter: Nitrile
 - Shore Hardness: SH50