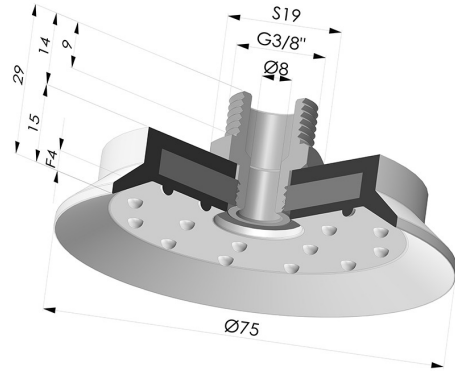


TECHNICAL INFORMATION

Range :	Suction cup
Category :	Plates
Series :	7SB
Height (in mm) :	28.5
Shape :	Plate
Contact lip diameter :	72.8 mm
inner barrel diameter :	Male G3/8"
Number of bellows :	0.5 Bellows
Horizontal force :	198 N
Vertical force :	99 N
Arrow :	4 mm



Variants:



Variant reference:
7SB 75SLT M38

- Color: Translucent
- CE food certified
- Matter: Silicone
- Shore Hardness: SH60



Variant reference:
7SB 75NI M38

- Color: Black
- Matter: Nitrile
- Shore Hardness: SH50