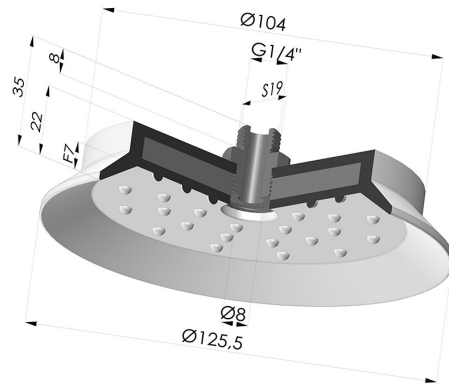


**TECHNICAL INFORMATION**

<b>Range :</b>	Suction cup
<b>Category :</b>	Plates
<b>Series :</b>	7SB
<b>Height (in mm) :</b>	35
<b>Shape :</b>	Plate
<b>Contact lip diameter :</b>	125.5 mm
<b>inner barrel diameter :</b>	Male G1/4"
<b>Number of bellows :</b>	0.5 Bellows
<b>Horizontal force :</b>	550 N
<b>Vertical force :</b>	275 N
<b>Arrow :</b>	7 mm



**Variants:**



Variant reference:  
**7SB 125SLT M14**

- Color: Translucent
- CE food certified
- Matter: Silicone
- Shore Hardness: SH60



Variant reference:  
**7SB 125NI M14**

- Color: Black
- Matter: Nitrile
- Shore Hardness: SH50