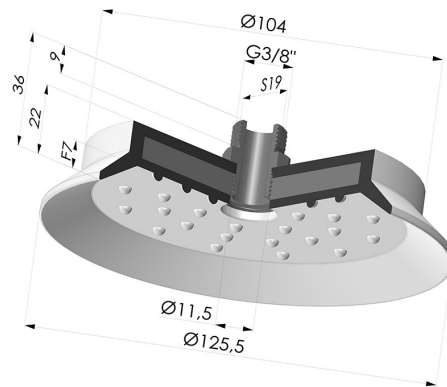


TECHNICAL INFORMATION

Range :	Suction cup
Category :	Plates
Series :	7SB
Height (in mm) :	36
Shape :	Plate
Contact lip diameter :	125.5 mm
inner barrel diameter :	Male G3/8"
Number of bellows :	0.5 Bellows
Horizontal force :	550 N
Vertical force :	275 N
Arrow :	7 mm



Variants:



Variant reference:
7SB 125SLT M38

- Color: Translucent
- CE food certified
- Matter: Silicone
- Shore Hardness: SH60



Variant reference:
7SB 125NI M38

- Color: Black
- Matter: Nitrile
- Shore Hardness: SH50