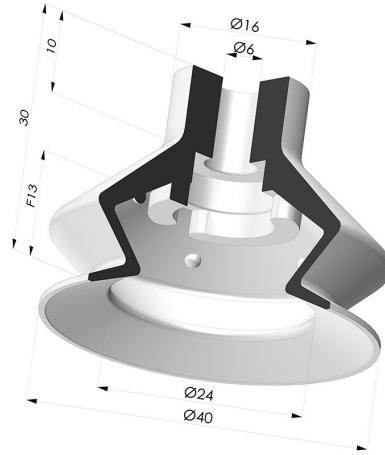


TECHNICAL INFORMATION

Range :	Suction cup
Category :	With bellows
Series :	8SB
Height (in mm) :	30
Shape :	1.5 Bellows
Contact lip diameter :	40 mm
inner barrel diameter :	6mm
Number of bellows :	1.5 Bellows
Horizontal force :	56 N
Vertical force :	28 N
Arrow :	13 mm



Variants:



Variant reference:
8SB 40SLT A

- Color: Translucent
- CE food certified
- Matter: Silicone
- Shore Hardness: SH60



Variant reference:
8SB 40TPUB A

- Color: Blue
- Matter: Thermoplastic
- Shore Hardness: SH70



Variant reference:
8SB 40NI A

- Color: Black
- Matter: Nitrile
- Shore Hardness: SH50

Related products:



**Adaptor - Female
 1/4G - Female M6**

Product reference: ADA
 G1/4F M6F



**Adaptor - Male 1/4G
 - Female M6**

Product reference: ADA
 G1/4M M6F



**Adaptor - Female
 1/8G - Female M6**

Product reference: ADA
 G1/8F M6F



**Adaptor - Male 1/8G
 - Female M6**

Product reference: ADA
 G1/8M M6F



**Screw M6 - Head Ø
 11 mm - L 17 mm**

Product reference: SCR
 20B M6M