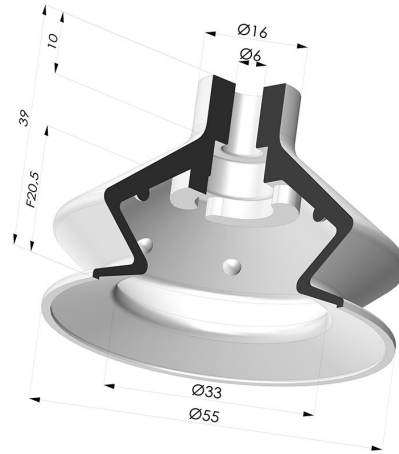


**TECHNICAL INFORMATION**

<b>Range :</b>	Suction cup
<b>Category :</b>	With bellows
<b>Series :</b>	8SB
<b>Height (in mm) :</b>	39
<b>Shape :</b>	1.5 Bellows
<b>Contact lip diameter :</b>	55 mm
<b>inner barrel diameter :</b>	6mm
<b>Number of bellows :</b>	1.5 Bellows
<b>Horizontal force :</b>	104 N
<b>Vertical force :</b>	52 N
<b>Arrow :</b>	20.5 mm



**Variants:**



Variant reference:  
**8SB 55SLT A**

- Color: Translucent
- CE food certified
- Matter: Silicone
- Shore Hardness: SH60



Variant reference:  
**8SB 55TPUB A**

- Color: Blue
- Matter: Thermoplastic
- Shore Hardness: SH70



Variant reference:  
**8SB 55NI A**

- Color: Black
- Matter: Nitrile
- Shore Hardness: SH50

**Related products:**



**Adaptor - Female  
 1/4G - Female M6**

Product reference: ADA  
 G1/4F M6F



**Adaptor - Male 1/4G  
 - Female M6**

Product reference: ADA  
 G1/4M M6F



**Adaptor - Female  
 1/8G - Female M6**

Product reference: ADA  
 G1/8F M6F



**Adaptor - Male 1/8G  
 - Female M6**

Product reference: ADA  
 G1/8M M6F



**Screw M6 - Head Ø  
 11 mm - L 17 mm**

Product reference: SCR  
 20B M6M