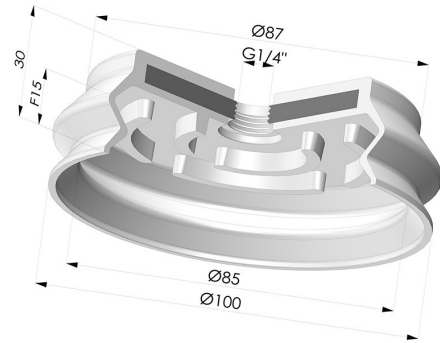


**TECHNICAL INFORMATION**

<b>Range :</b>	Suction cup
<b>Category :</b>	With bellows
<b>Series :</b>	8SB
<b>Height (in mm) :</b>	30
<b>Shape :</b>	1.5 Bellows
<b>Contact lip diameter :</b>	100 mm
<b>inner barrel diameter :</b>	G1/4
<b>Number of bellows :</b>	1.5 Bellows
<b>Horizontal force :</b>	331 N
<b>Vertical force :</b>	165.5 N
<b>Arrow :</b>	15 mm



**Variants:**



Variant reference:

**8SB 100SLT A**

- Color: Translucent
- CE food certified
- Matter: Silicone
- Shore Hardness: SH60



Variant reference:

**8SB 100NI A**

- Color: Black
- Matter: Nitrile
- Shore Hardness: SH50