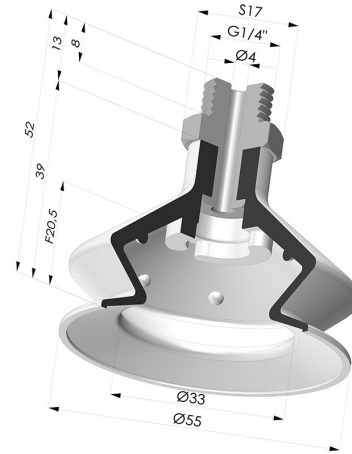


TECHNICAL INFORMATION

Range :	Suction cup
Category :	With bellows
Series :	8SB
Height (in mm) :	52
Shape :	1.5 Bellows
Contact lip diameter :	55 mm
inner barrel diameter :	Male G1/4"
Number of bellows :	1.5 Bellows
Horizontal force :	104 N
Vertical force :	52 N
Arrow :	20.5 mm



Variants:



Variant reference:
8SB 55SLT M14

- Color: Translucent
- CE food certified
- Matter: Silicone
- Shore Hardness: SH60



Variant reference:
8SB 55TPUB M14

- Color: Blue
- Matter: Thermoplastic
- Shore Hardness: SH70



Variant reference:
8SB 55NI M14

- Color: Black
- Matter: Nitrile
- Shore Hardness: SH50